



Vivo 6214

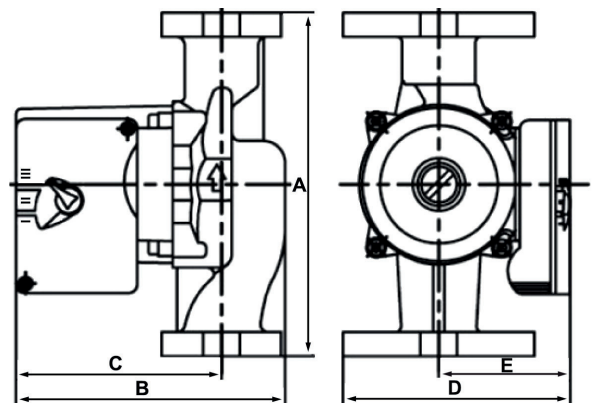
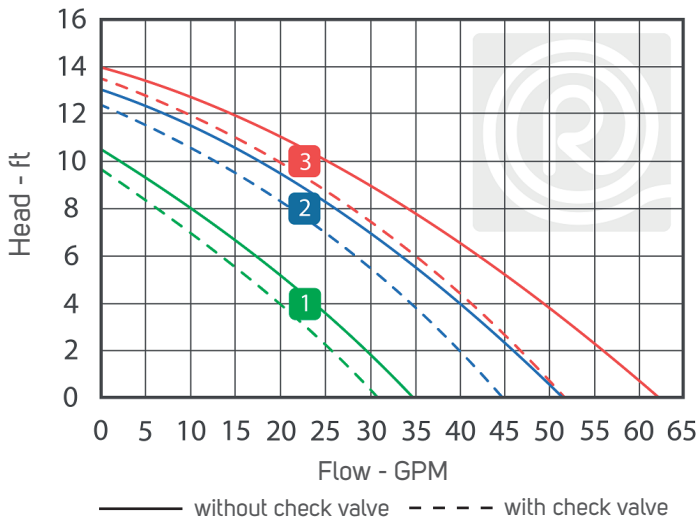
T40-62-14FC Cast Iron Circulator

SKU - Order Number: T406214FC
 10' of power cable included
 Motor: 2-pole single phase 115 VAC 60 Hz
 Asynchronous squirrel-cage PSC
 Strator and rotor: Stainless steel shielded wet
 Capacitor: 20 uf/250V
 Body material: Cast iron
 Pumped liquid temperature: 32°F -230°F (0°C - 110°C)
 Max pressure: 145psi (1MPa)
 Max flow: 62 gpm
 Max head 14 ft

Data Sheet

Model	Volts	Amps at High/Med/Low Speeds	Watts at High/Med/Low Speeds	System	Grundfos Equivalent
T40-62-14FC	115 V	1.8/1.7/1.2	200/190/135	Closed	UPS 43-44 FC

Liquid Temperature	≥185°F (85°C)	≥194°F (90°C)	≥230°F (110°C)
Inlet Pressure	2 ft (0.6m) Head 0.7 psi (0.05 bar)	10 ft (3m) Head 4 psi (0.28 bar)	33 ft (10m) Head 14.5 psi (1 bar)



Model	A	B	C	D	E	Connection	Shipping Weight
T40-62-14FC	8 1/2"	6 1/16"	5 1/8"	5 5/8"	3 1/4"	3 7/16" - GF 40 flange	13.5 lbs