



Vivo 1719

T15-17-19FC Cast Iron Circulator

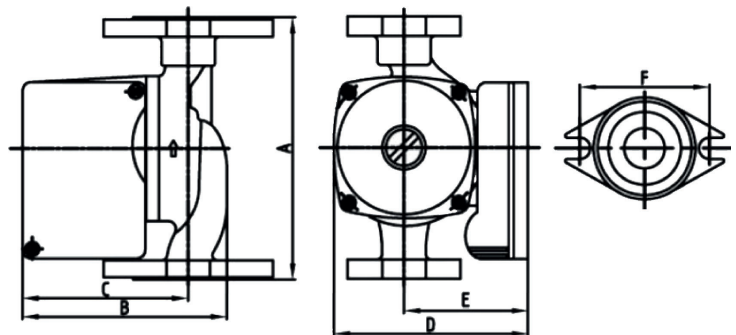
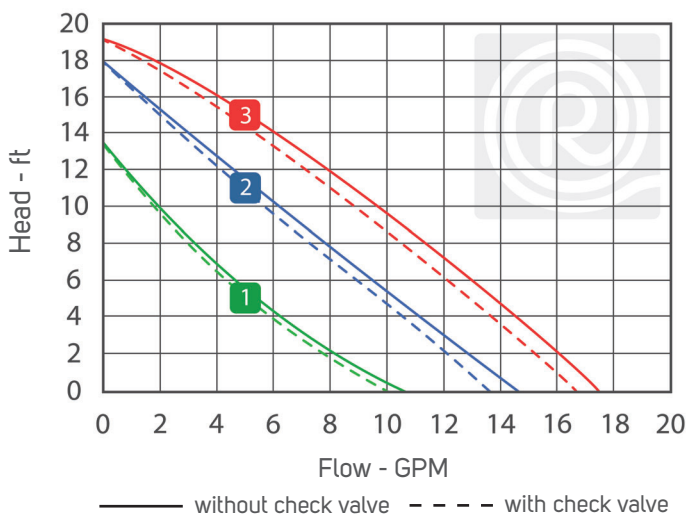
SKU - Order Number: T151719FC

- 10' of power cable included
- Motor: 2-pole single phase 115 VAC 60 Hz
- Asynchronous squirrel-cage PSC
- Strator and rotor: stainless steel shielded wet
- Capacitor: 10 uf/250V
- Body Material: Cast Iron
- Pumped liquid temperature: 32°F -230°F (0°C - 110°C)
- Max pressure: 145psi (1MPa)
- Max flow: 17 gpm
- Max head 19 ft

Data Sheet

Model	Volts	Amps at High/Med/Low Speeds	Watts at High/Med/Low Speeds	System	Grundfos Equivalent
T15-17-19FC	115 V	0.9/0.7/0.5	100/70/55	Closed	UPS 15-58 FC

Liquid Temperature	≥185°F (85°C)	≥194°F (90°C)	≥230°F (110°C)
Inlet Pressure	2 ft (0.6m) Head	10 ft (3m) Head	33 ft (10m) Head
	0.7 psi (0.05 bar)	4 psi (0.28 bar)	14.5 psi (1 bar)



Model	A	B	C	D	E	F - Connection	Shipping Weight
T15-17-19FC	6 1/2"	6"	4"	4 7/8"	3"	3 5/32" - GP 15 flange	7.25 lbs