



Vivo 3636

S25-36-36FC Cast Iron Circulator

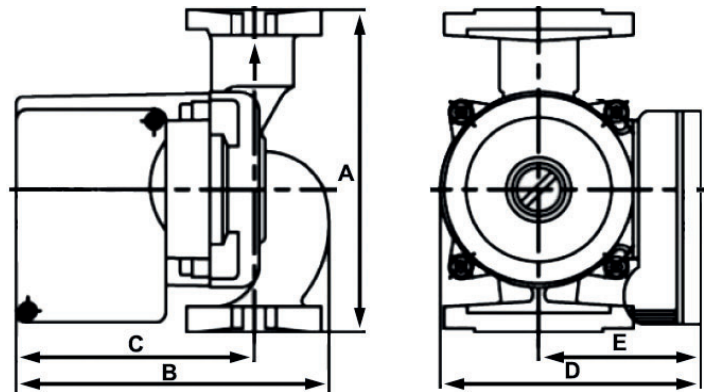
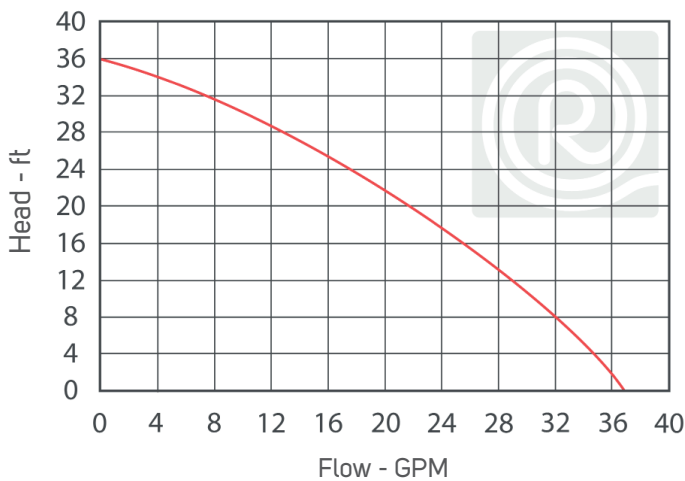
SKU - Order Number: S253636FC

- 10' of power cable included
- Motor: 2-pole single phase 115 VAC 60 Hz
- Asynchronous squirrel-cage PSC
- Strator and rotor: Stainless steel shielded wet
- Capacitor: 6 uf/450V
- Body Material: Cast iron
- Pumped liquid temperature: 32°F -230°F (0°C - 110°C)
- Max pressure: 145psi (1MPa)
- Max flow: 38 gpm
- Max head 36 ft

Data Sheet

Model	Volts	Amps	Watts	System	Grundfos Equivalent
S25-36-36FC	115 V	1.5	335	Open	UP 26-116 F

Liquid Temperature	≥185°F (85°C)	≥194°F (90°C)	≥230°F (110°C)
Inlet Pressure	2 ft (0.6m) Head 0.7 psi (0.05 bar)	10 ft (3m) Head 4 psi (0.28 bar)	33 ft (10m) Head 14.5 psi (1 bar)



Model	A	B	C	D	E	Connection	Shipping Weight
S25-36-36FC	6 1/2"	6 3/8"	5 1/16"	5 3/8"	3 1/4"	3 5/32" - F25 flange	12 1/2" lbs