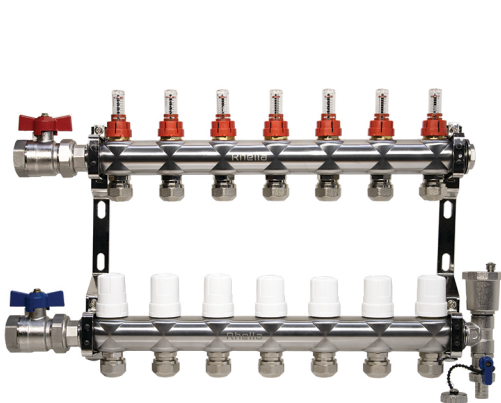




Hydraulic Separators, Distribution Headers



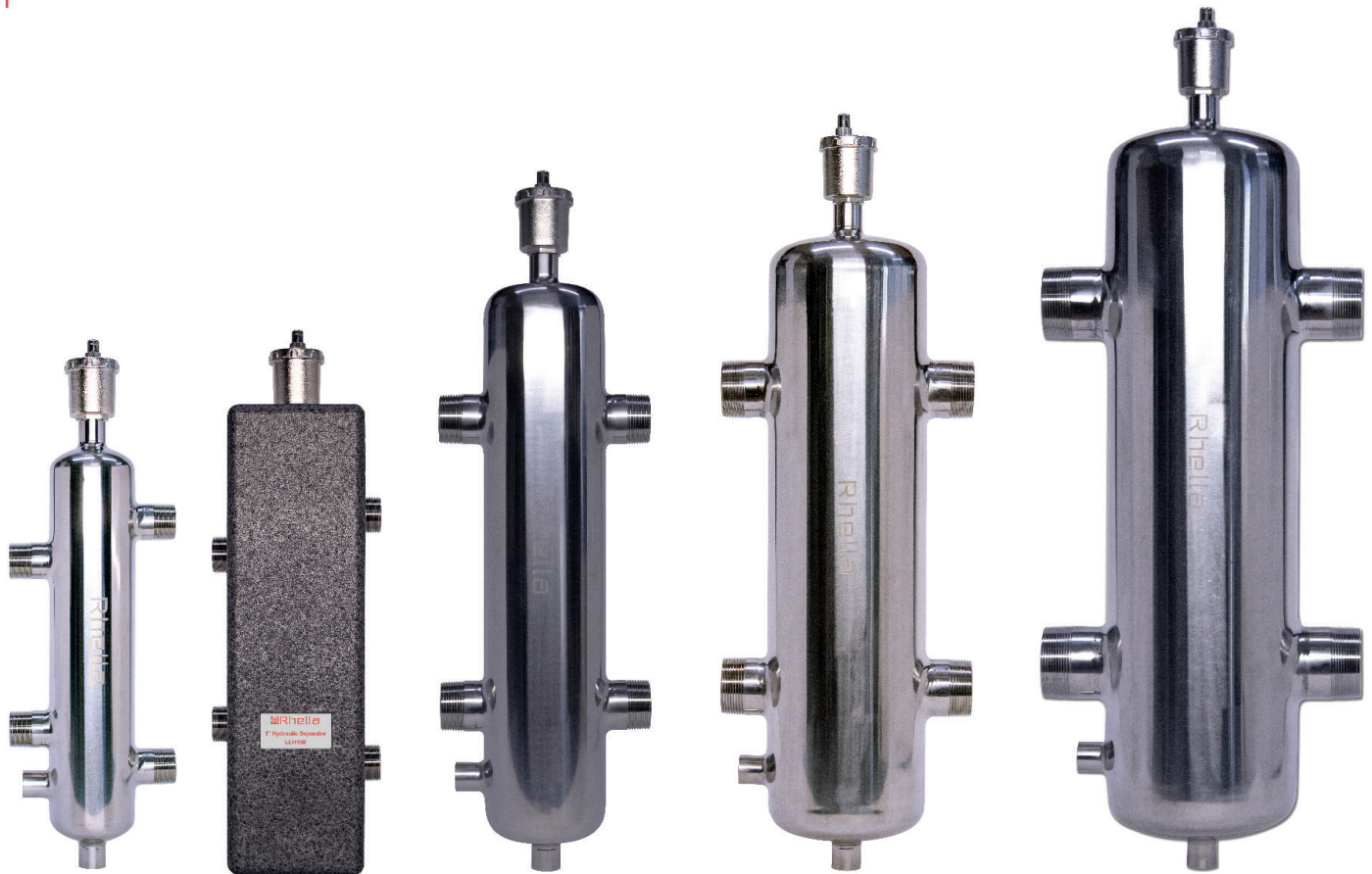
Manifold Cabinets, Stainless Steel Manifolds



You Know You Want It

Rhella.com

Stainless Steel Hydraulic Separators



LLH100 - With Insulation

LLH125

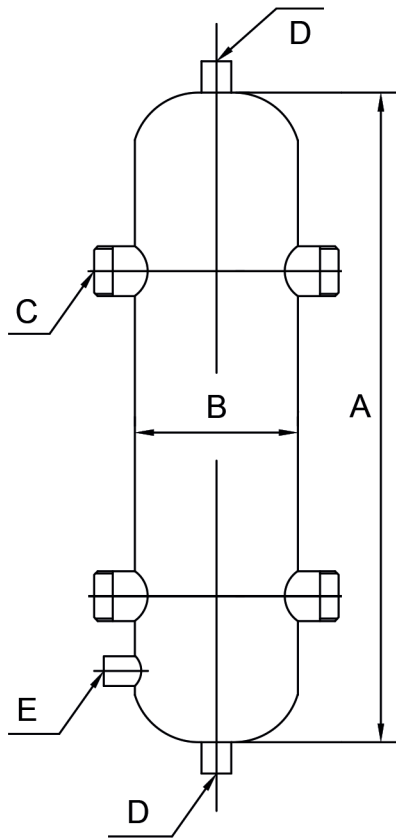
LLH150

LLH200

Functions:

- Separate the primary (boiler) loop from the secondary loops
- Slow down the flow allowing air to escape on top
- Expansion tank/water makeup connection point at no pressure change
- Mix supply and return waters for a gradual ΔT
- Allow dirt to settle and be drained

Stainless Steel Hydraulic Separators



304 Stainless Steel hydraulic separator with 1", 1-1/4", 1-1/2" or 2" MIP Connectors.

- LL100 with 1" MNPT Flow Rate: **11 GPM** (2.5 m³/h)*
- LLH125 with 1-1/4" MNPT Flow Rate: **18 GPM** (4 m³/h)*
- LLH150 with 1-1/2" MNPT Flow Rate: **26 GPM** (6 m³/h)*
- LLH200 with 2" MNPT Flow Rate: **37 GPM** (8.4 m³/h)*

* at 4 foot/sec

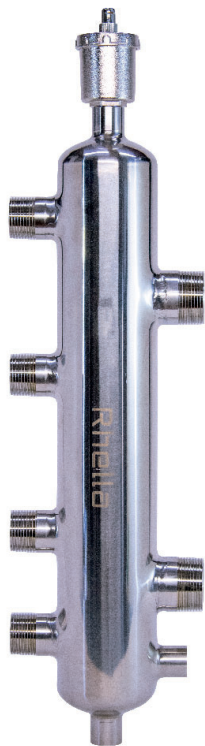
- Internal baffle
- 1/2" GF top air vent connection
- 1/2" GF bottom drain connection
- 1/2" FIP side water makeup connection

Included are:

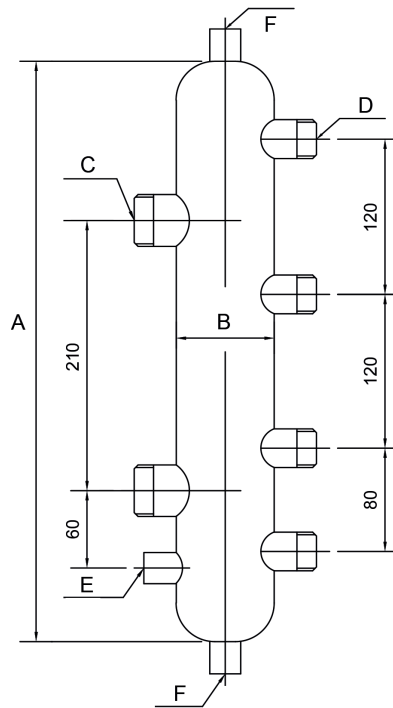
- 1 x Hydraulic separator
- 1 x 1/2" Air vent
- 1 x 1/2" Bottom drain

Model Number	A	B	C	D	E	F	Weight
LLH100	15-3/4"	3"	1" MIP	1/2" GF	1/2" GF	1/2" FIP	3.5 lbs
LLH125	20-1/2"	4"	1-1/4" MIP	1/2" GF	1/2" GF	1/2" FIP	5.8lbs
LLH150	22"	5-1/4"	1-1/2" MIP	1/2" GF	1/2" GF	1/2" FIP	8.3lbs
LLH200	25-1/4"	6-1/4"	2" MIP	1/2" GF	1/2" GF	1/2" FIP	12.2lbs

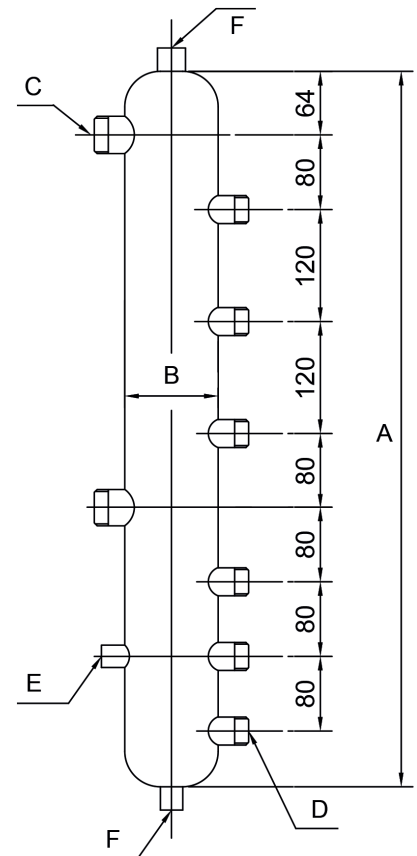
Stainless Steel Two and Three Way Hydraulic Separators



LLH204



LLH206



- **LLH204** 2-Way 1-1/4" x 1" 304 Stainless Steel Hydraulic Separator with NPT Connections
Flow Primary: **18 GPM** (4 m³/h) Flow Secondary: **17 GPM** (3.86 m³/h)
- **LLH206** 3-Way 1-1/4" x 1" 304 Stainless Steel Hydraulic Separator with NPT Connections
Flow Primary: **18 GPM** (4 m³/h) Flow Secondary: **26 GPM** (5.9 m³/h)

* Numbers on the drawings are in millimeters

Model Number	A	B	C	D	E	F	Weight
LLH204	17-3/4"	3"	2 x 1-1/4" MIP	4 x 1" MIP	1/2" FIP	1/2" GF	5.8 lbs
LLH206	30-1/4"	4"	2 x 1-1/4" MIP	6 x 1" MIP	1/2" FIP	1/2" GF	8.4 lbs



Rhella Stainless Steel Hydraulic Separators - Flow Rates:

LLH100 1" 304 Stainless Steel Hydraulic Separator with NPT Connections

Flow Rate: 11 GPM (2.5 m³/h)

LLH125 1-¼" 304 Stainless Steel Hydraulic Separator with NPT Connections

Flow Rate: 18 GPM (4 m³/h)

LLH150 1-½" 304 Stainless Steel Hydraulic Separator with NPT Connections

Flow Rate: 26 GPM (6 m³/h)

LLH200 2" 304 Stainless Steel Hydraulic Separator with NPT Connections

Flow Rate: 37 GPM (8.4 m³/h)

LLH204 2-Way 1-¼" x 1" 304 Stainless Steel Hydraulic Separator with NPT Connections

Flow Primary: 18 GPM (4 m³/h) Flow Secondary: 17 GPM (3.86 m³/h)

LLH206 3-Way 1-¼" x 1" 304 Stainless Steel Hydraulic Separator with NPT Connections

Flow Primary: 18 GPM (4 m³/h) Flow Secondary: 26 GPM (5.9 m³/h)

LLH250 2-½" 304 Stainless Steel Hydraulic Separator with DN65 ANSI B16.5 Class 150 Flanges

Flow Rate: 80 GPM (18.2 m³/h)

LLH300 3" 304 Stainless Steel Hydraulic Separator with DN80 ANSI B16.5 Class 150 Flanges

Flow Rate: 124 GPM (28.2 m³/h)

LLH400 4" 304 Stainless Steel Hydraulic Separator with DN100 ANSI B16.5 Class 150 Flanges

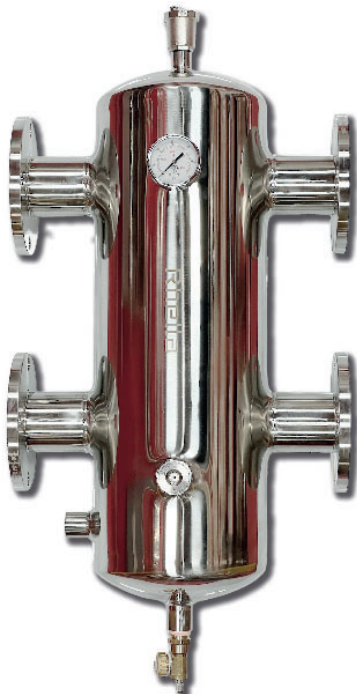
Flow Rate: 247 GPM (56.1 m³/h)

All Rhella Hydraulic Separator comes with an internal Stainless Steel coalescing mesh.

Hydraulic Separators



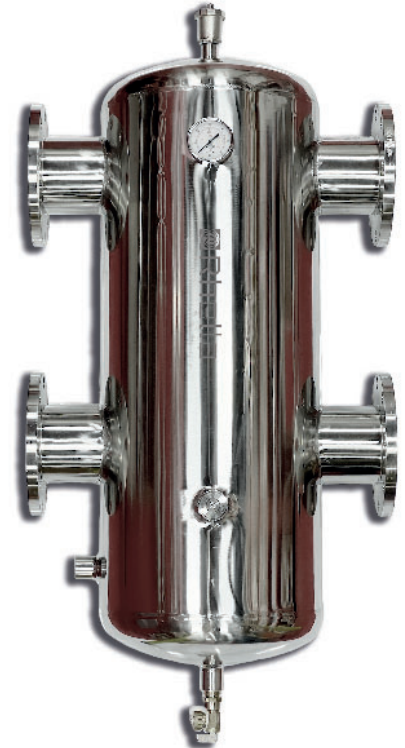
Stainless Steel Hydraulic Separators with Flange Connections



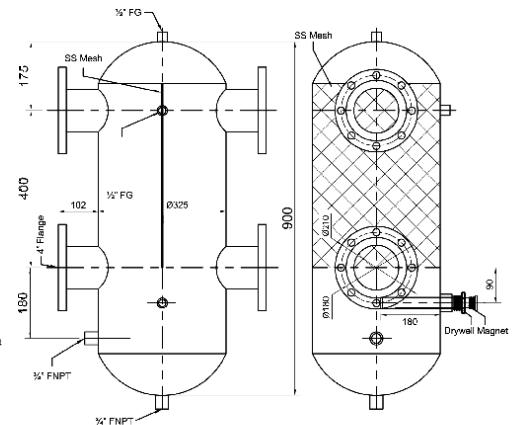
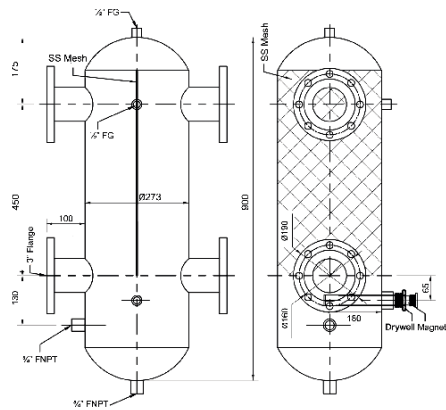
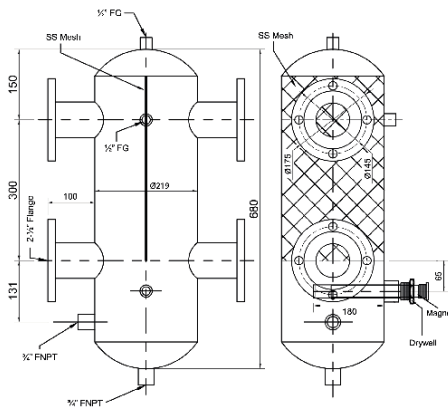
LLH250



LLH300



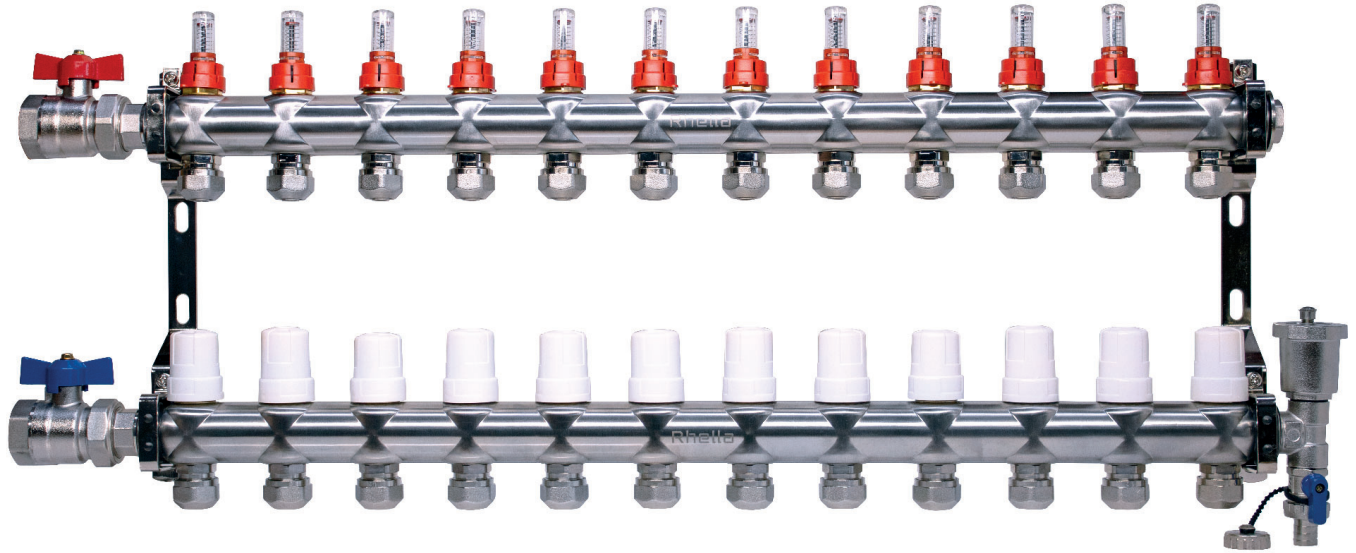
LLH400



- M50 grade neodymium rod magnets
- 10,000 gauss holding force, temperature rated to 90C
- Operation temperature range, 0-100°C/132-270°F
- 1/2" Air vent, Drain, Included

- Coalescing Media: Stainless Steel
- Connection for makeup water
- Max. Operational Pressure, 10 bar/150 PSI
- Pressure Gauge, Included

Model Number	Flange	Flow Rate	Drain	Makup Water	Magnet Size	Weight
LLH250	2-1/2" DN65 ANSI B16.5 Class 150	60 GPM 4ft/sec	1/2" FNPT	1/2" FNPT	25ø X 190 mm	50 Lbs
LLH300	3" DN80 ANSI B16.5 Class 150	92 GPM 4ft/sec	3/4" FNPT	3/4" FNPT	25ø X 190 mm	75 Lbs
LLH400	4" DN100 ANSI B16.5 Class 150	160 GPM 4ft/sec	3/4" FNPT	3/4" FNPT	25ø X 190 mm	100 Lbs



RAM100 Series 1" Stainless Steel Manifolds

SKU - Part number: RAM102 - RAM112

Rhella 1" 304 food grade stainless steel manifolds with Swiss made Taconova flow meters
 Mounting brackets and 1" threaded ends
 Flow rate: 14 gpm trunk, 1.5 gpm per circuit
 Maximum temperature: 194F at 43.8 psi
 Maximum pressure: 145 psi at 68F

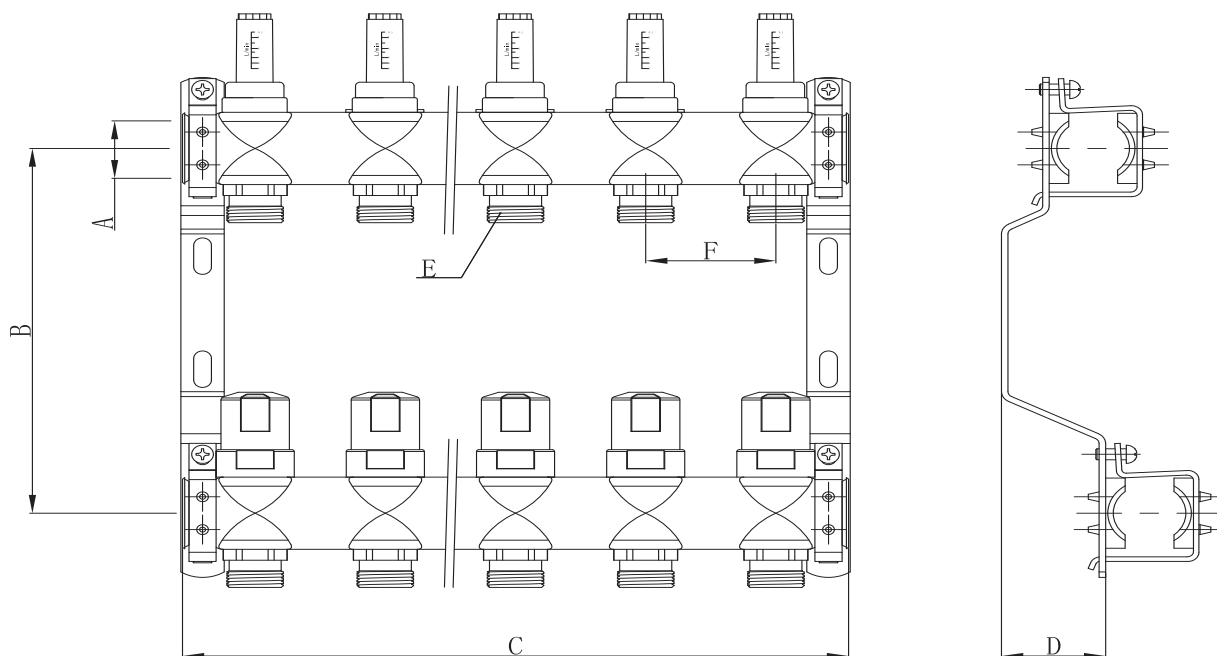
Included are:

- Manifold with flow meters and loop valves
- Mounting brackets
- 1 x 1" End Cap
- 1 x Air Vent With Drain
- 2 x 1" Ball Valves (1 Red, 1 Blue)
- Thermal actuator compatible circuit valves

1/2", 5/8" or 3/4" Compression adapters sold separately

Type	1" Manifold
Material	SEA 304 Stainless Steel
Warranty	5 Years
Loop Count	2 to 12 Loops
PEX Size	1/2", 5/8" or 3/4"
Supply Thread	DN 25, 1"
Loop Thread	20 mm
Application	Radiant Heating
Fitting System	PEX Compression
Tubing	PEX
Test Pressure	145 psi
Flow Capacity CV	1.1 (Loop)
Max. Operating Temp.	194°F at 44 psi
Max. Operating Pressure	44 psi at 194°F
	87 psi at 158°F
	145 psi at 68°F

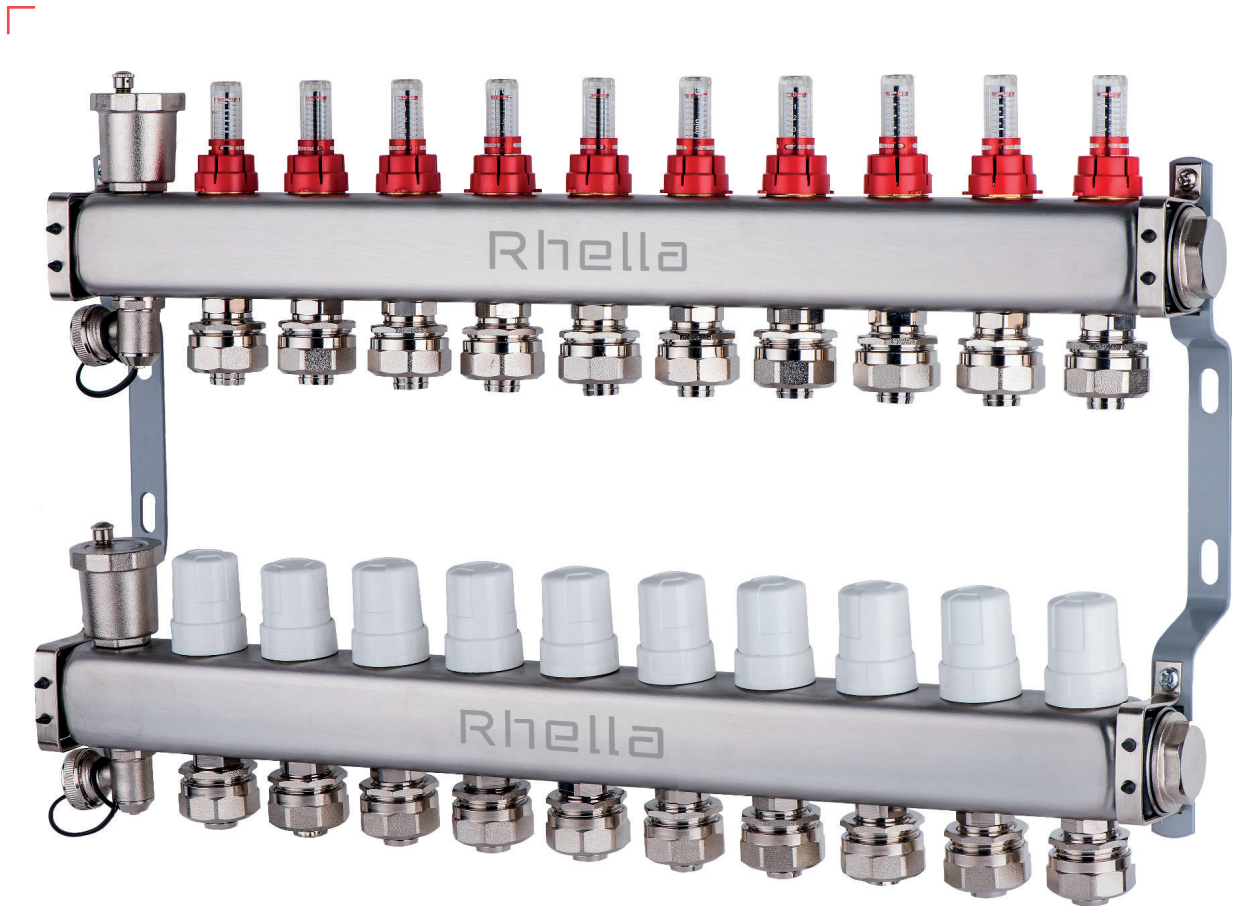
1" Stainless Steel Manifolds



Available Loop Sizes

Order Number	Loop Count	A	B	C	D	E	F
RAM102	2 Loops	1"	8"	5- ¹ / ₈ "	1- ³ / ₄ "	³ / ₄ " x 18TPI	2- ³ / ₈ "
RAM103	3 Loops	1"	8"	7- ³ / ₈ "	1- ³ / ₄ "	³ / ₄ " x 18TPI	2- ³ / ₈ "
RAM104	4 Loops	1"	8"	9- ³ / ₄ "	1- ³ / ₄ "	³ / ₄ " x 18TPI	2- ³ / ₈ "
RAM105	5 Loops	1"	8"	12- ¹ / ₄ "	1- ³ / ₄ "	³ / ₄ " x 18TPI	2- ³ / ₈ "
RAM106	6 Loops	1"	8"	14- ³ / ₈ "	1- ³ / ₄ "	³ / ₄ " x 18TPI	2- ³ / ₈ "
RAM107	7 Loops	1"	8"	16- ³ / ₄ "	1- ³ / ₄ "	³ / ₄ " x 18TPI	2- ³ / ₈ "
RAM108	8 Loops	1"	8"	19"	1- ³ / ₄ "	³ / ₄ " x 18TPI	2- ³ / ₈ "
RAM109	9 Loops	1"	8"	21- ³ / ₈ "	1- ³ / ₄ "	³ / ₄ " x 18TPI	2- ³ / ₈ "
RAM110	10 Loops	1"	8"	23- ³ / ₄ "	1- ³ / ₄ "	³ / ₄ " x 18TPI	2- ³ / ₈ "
RAM111	11 Loops	1"	8"	26"	1- ³ / ₄ "	³ / ₄ " x 18TPI	2- ³ / ₈ "
RAM112	12 Loops	1"	8"	28- ³ / ₈ "	1- ³ / ₄ "	³ / ₄ " x 18TPI	2- ³ / ₈ "

1-1/4" Stainless Steel Manifolds



Rhella 1-1/4" Stainless Steel Manifolds

SKU - Part number: HFM102 - HFM112

Rhella 1-1/4" 304 food grade stainless steel manifolds with Swiss made Taconova flow meters
 Max Flow Rate: 18 gpm Trunk, 1.5 gpm per Circuit
 Maximum Temperature: 194F at 43.8 psi
 Maximum Pressure: 145 psi at 68F

Included are:

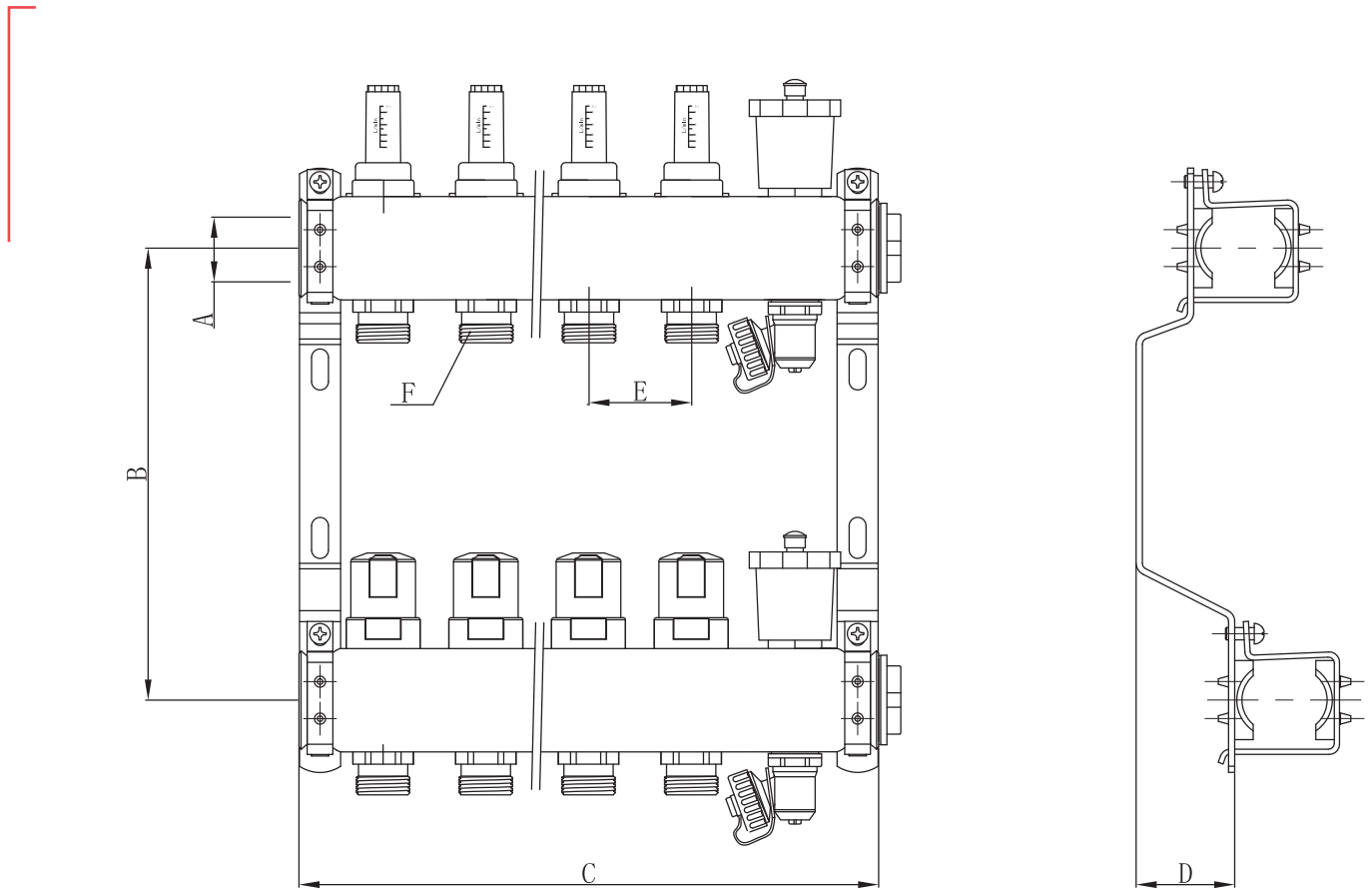
- Manifold with flow meters and loop valves
- Mounting brackets
- 2 x 1 - 1/4" End cap
- 2 x Air vent with drain
- 2 x 1-1/4" Ball Valves (1 Red, 1 Blue)

Thermal actuator compatible circuit valves

1/2", 5/8" or 3/4" Compression adapters sold separately

Type	1-1/4" Manifold
Material	SEA 304 Stainless Steel
Warranty	5 Years
Loop Count	2 to 12 Loops
PEX Size	1/2", 5/8" or 3/4"
Supply Thread	DN 32, 1 - 1/4"
Loop Thread	20 mm
Application	Radiant Heating
Fitting System	PEX Compression
Tubing	PEX
Test Pressure	145 psi
Flow Capacity CV	1.1 (Loop)
Max. Operating Temp.	194°F at 44 psi
Max. Operating Pressure	44 psi at 194°F
	87 psi at 158°F
	145 psi at 68°F

1-1/4" Stainless Steel Manifolds



Available Loop Sizes

Part Number	Loop Count	A	B	C	D	E	F
HFM-102	2 Loops	1-1/4"	8-1/2"	6-3/4"	2"	2"	3/4"x18TPI
HFM-103	3 Loops	1-1/4"	8-1/2"	8-3/4"	2"	2"	3/4"x18TPI
HFM-104	4 Loops	1-1/4"	8-1/2"	10-3/4"	2"	2"	3/4"x18TPI
HFM-105	5 Loops	1-1/4"	8-1/2"	12-3/4"	2"	2"	3/4"x18TPI
HFM-106	6 Loops	1-1/4"	8-1/2"	14-3/4"	2"	2"	3/4"x18TPI
HFM-107	7 Loops	1-1/4"	8-1/2"	16-3/4"	2"	2"	3/4"x18TPI
HFM-108	8 Loops	1-1/4"	8-1/2"	18-3/4"	2"	2"	3/4"x18TPI
HFM-109	9 Loops	1-1/4"	8-1/2"	20-3/4"	2"	2"	3/4"x18TPI
HFM-110	10 Loops	1-1/4"	8-1/2"	22-3/4"	2"	2"	3/4"x18TPI
HFM-111	11 Loops	1-1/4"	8-1/2"	24-3/4"	2"	2"	3/4"x18TPI
HFM-112	12 Loops	1-1/4"	8-1/2"	26-3/4"	2"	2"	3/4"x18TPI

2" Snow Melt Manifold



XFM Series 2" Stainless Steel Snow Melt Manifolds

SKU - Part number: XFM204 - XFM216

Max. flow rate: 75 GPM Trunk, 4.9 GPM per circuit
Max. temperature: 194 °F
Max. pressure: 145 Psi

Included are:

Manifold with mounting brackets
2 x Air vents and drains
2 x 2" End caps
Blue and red circuit valves
2 x 2" G x SWEAT adapters

Versatile installation

Horizontal or vertical mounted, the air vents are always functional. Rhella X-treme flow manifolds offer true 2-1/2" unrestricted flow through the Supply-Trunks-Return path.

Air Vents and Drains

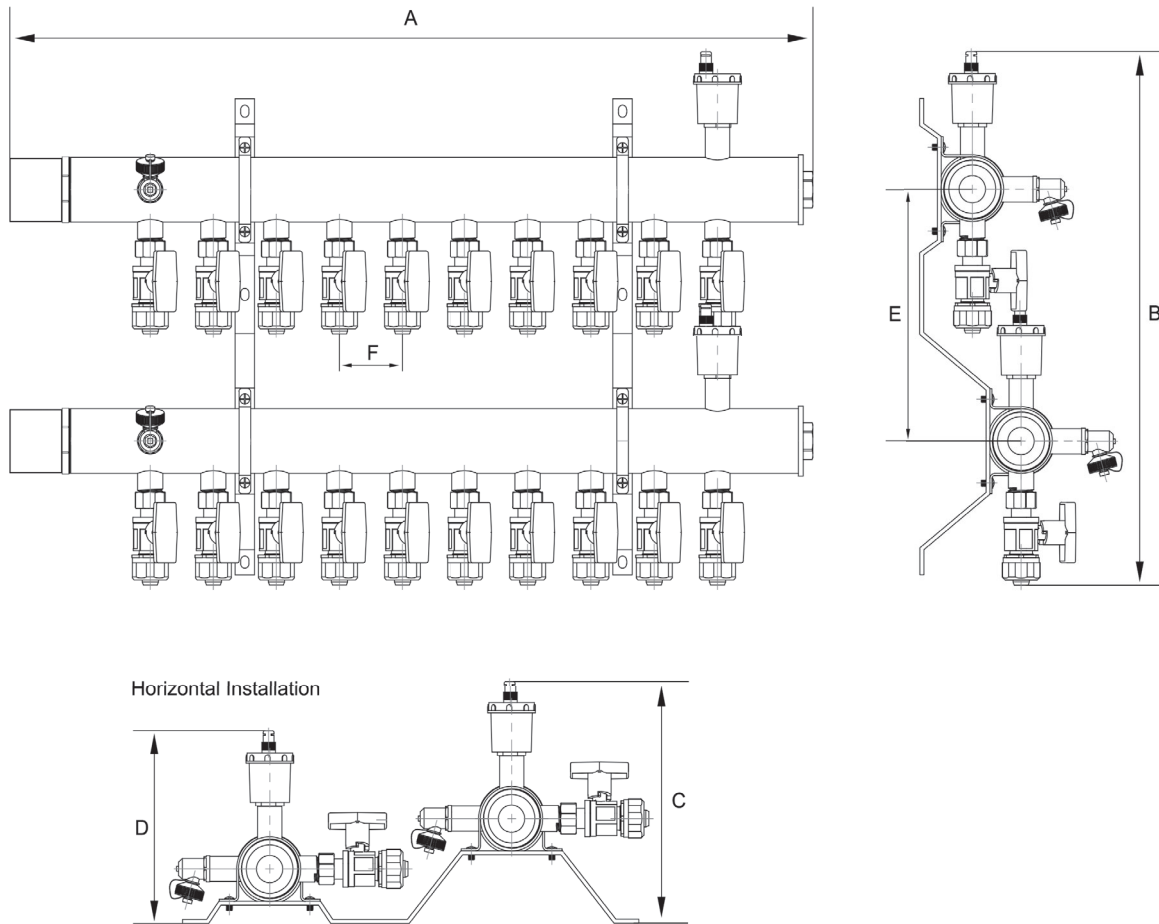
Every Rhella X-treme flow manifold comes with built in automatic air vents and drains.

Compression Adapters

1/2", 5/8" or 3/4" Compression adapters sold separately

Type	XFM 2" Manifold
Material	SEA 304 Stainless Steel
Warranty	5 Years
Trunk Diameter	2-1/2"
Loop Count	4 to 16 Loops
PEX Size	1/2", 5/8" or 3/4"
Trunk Thread	DN 50, 2"
Loop Thread	20 mm
Application	Radiant Heating
Fitting System	PEX Compression
Tubing	PEX
Test Pressure	145 Psi
Max Flow Rate (Trunk)	75 GPM
Max Flow Rate (Loop)	4.9 GPM
Max. Operating Temp.	194°F at 44 Psi
Max. Operating Pressure	44 Psi at 194 °F
	87 Psi at 158 °F
	145 Psi at 68 °F

2" Snow Melt Manifolds

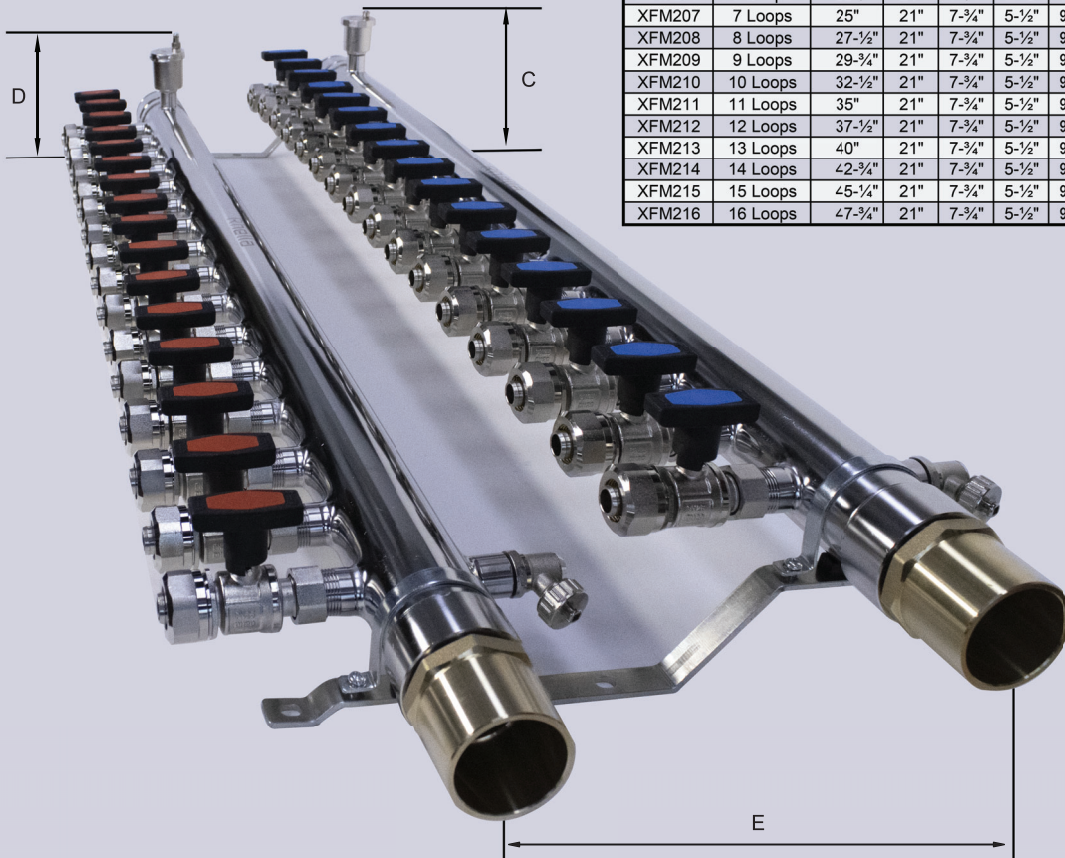
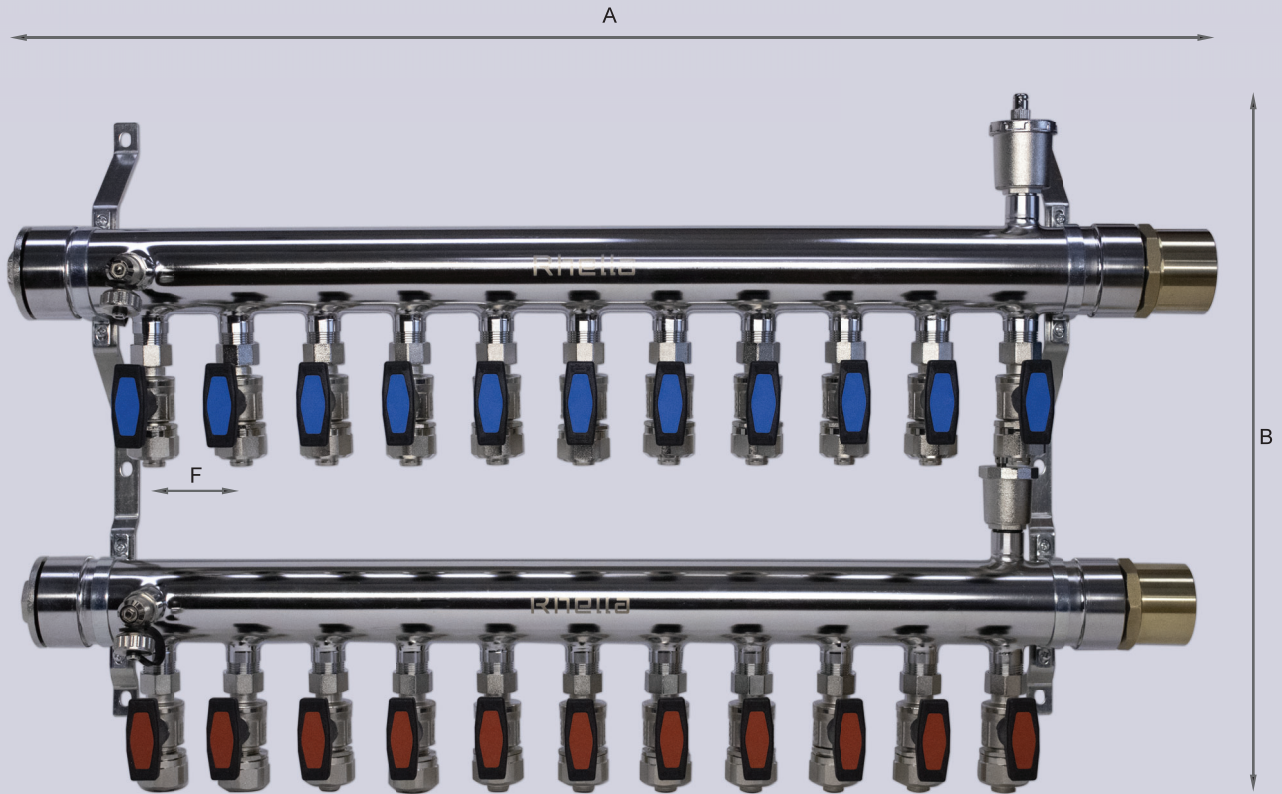


Available Loop Sizes

Model Number	Loop Count	A	B	C	D	E	F	Weight lbs
XFM204	4 Loops	17"	21"	7-3/4"	5-1/2"	9-3/4"	2-5/8"	19.5
XFM205	5 Loops	19-1/2"	21"	7-3/4"	5-1/2"	9-3/4"	2-5/8"	22.0
XFM206	6 Loops	22-1/4"	21"	7-3/4"	5-1/2"	9-3/4"	2-5/8"	24.5
XFM207	7 Loops	25"	21"	7-3/4"	5-1/2"	9-3/4"	2-5/8"	27.0
XFM208	8 Loops	27-1/2"	21"	7-3/4"	5-1/2"	9-3/4"	2-5/8"	29.5
XFM209	9 Loops	29-3/4"	21"	7-3/4"	5-1/2"	9-3/4"	2-5/8"	32.0
XFM210	10 Loops	32-1/2"	21"	7-3/4"	5-1/2"	9-3/4"	2-5/8"	34.5
XFM211	11 Loops	35"	21"	7-3/4"	5-1/2"	9-3/4"	2-5/8"	37.0
XFM212	12 Loops	37-1/2"	21"	7-3/4"	5-1/2"	9-3/4"	2-5/8"	39.5
XFM213	13 Loops	40"	21"	7-3/4"	5-1/2"	9-3/4"	2-5/8"	43.5
XFM214	14 Loops	42-3/4"	21"	7-3/4"	5-1/2"	9-3/4"	2-5/8"	45.0
XFM215	15 Loops	45-1/4"	21"	7-3/4"	5-1/2"	9-3/4"	2-5/8"	47.5
XFM216	16 Loops	47-3/4"	21"	7-3/4"	5-1/2"	9-3/4"	2-5/8"	50.0



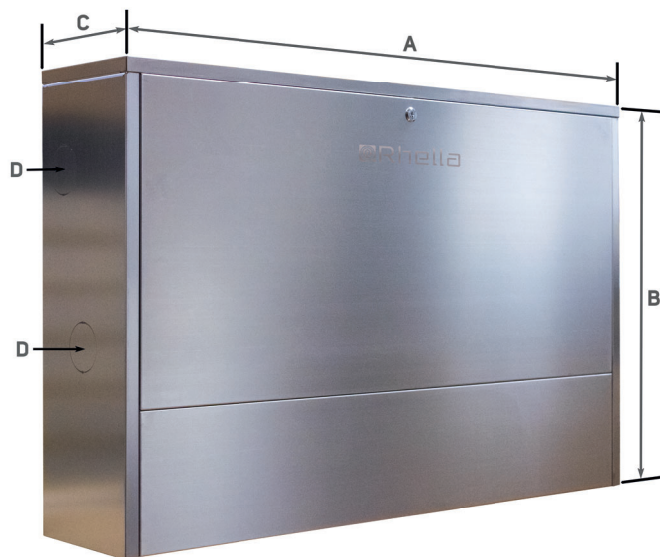
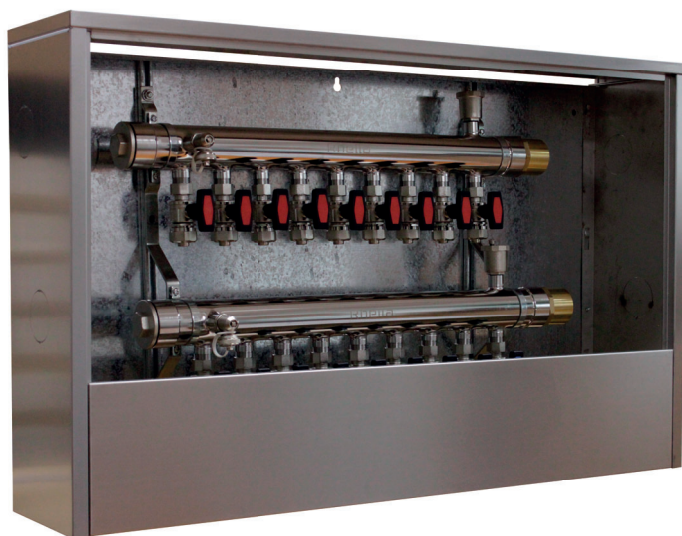
XFM Series 2" Stainless Steel Snow Melt Manifolds
Available Loop Size: 4 to 16 Loops



SKU	Circuit Size	A	B	C	D	E	F	Weight lbs
XFM204	4 Loops	17"	21"	7-3/4"	5-1/2"	9-3/4"	2-5/8"	19.5
XFM205	5 Loops	19-1/2"	21"	7-3/4"	5-1/2"	9-3/4"	2-5/8"	22.0
XFM206	6 Loops	22-1/4"	21"	7-3/4"	5-1/2"	9-3/4"	2-5/8"	24.5
XFM207	7 Loops	25"	21"	7-3/4"	5-1/2"	9-3/4"	2-5/8"	27.0
XFM208	8 Loops	27-1/2"	21"	7-3/4"	5-1/2"	9-3/4"	2-5/8"	29.5
XFM209	9 Loops	29-3/4"	21"	7-3/4"	5-1/2"	9-3/4"	2-5/8"	32.0
XFM210	10 Loops	32-1/2"	21"	7-3/4"	5-1/2"	9-3/4"	2-5/8"	34.5
XFM211	11 Loops	35"	21"	7-3/4"	5-1/2"	9-3/4"	2-5/8"	37.0
XFM212	12 Loops	37-1/2"	21"	7-3/4"	5-1/2"	9-3/4"	2-5/8"	39.5
XFM213	13 Loops	40"	21"	7-3/4"	5-1/2"	9-3/4"	2-5/8"	43.5
XFM214	14 Loops	42-3/4"	21"	7-3/4"	5-1/2"	9-3/4"	2-5/8"	45.0
XFM215	15 Loops	45-1/4"	21"	7-3/4"	5-1/2"	9-3/4"	2-5/8"	47.5
XFM216	16 Loops	47-3/4"	21"	7-3/4"	5-1/2"	9-3/4"	2-5/8"	50.0



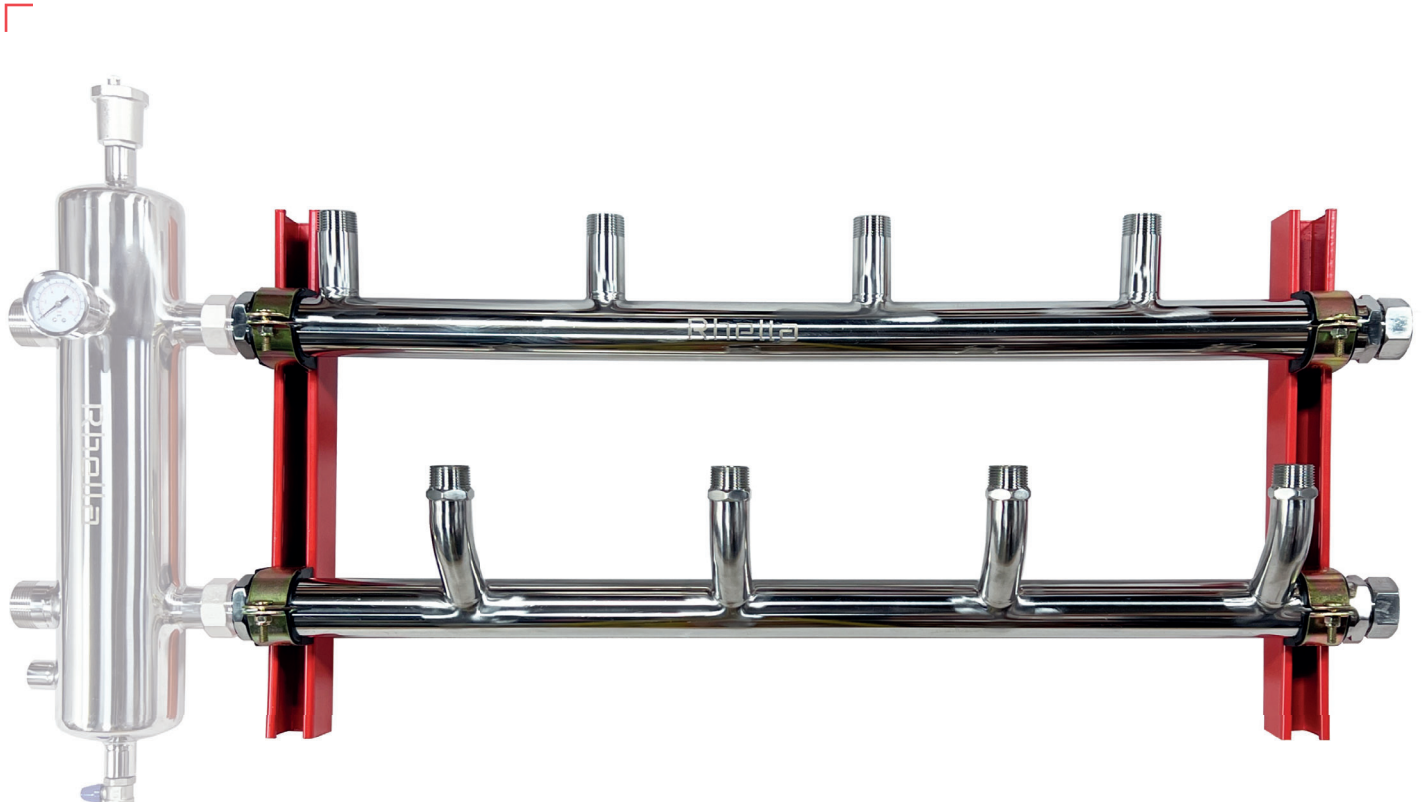
STAINLESS STEEL CABINET



Wall Mounted 304 Stainless Steel Lockable Cabinet

- Lockable, Removable Front Panel
- Designed for the Rhella 2" XFM Snow Melting Manifold
- Two 2-3/4" Perforated Openings on Both End for Easy Side Connections
- Can be Installed Indoor or Outdoor - Weather Proof
- Durable 1.3mm, 16 Gauge 304 Stainless Steel Construction
- Manifold Sold Separately

Model Number	XFM Max Size	A	B	C	D	Weight
XFMCS8	Up to 8 Loops	31-1/2"	26-3/4"	8-3/4"	2-3/4"	32 lbs
XFMCM8	Up to 12 Loops	41-3/4"	26-3/4"	8-3/4"	2-3/4"	40 lbs
XFMCL8	Up to 16 Loops	55-1/8"	26-3/4"	8-3/4"	2-3/4"	50 lbs
XFMCX8	Up to 22 Loops	70-3/4"	26-3/4"	8-3/4"	2-3/4"	60 lbs



Stainless Steel Distrubution Headers

Available in 1-1/4", 1-1/2" and 2" Connection Sizes
 Thread Sealant Free, Quick Assembly
 5 Year Warranty

*Low Loss Header Sold Separately
 Technical Drawings: www.Rhella.com

Trunk Connection	SKU	Trunk Diameter	Branch Count	Branch Connection	Lenght	Low Loss Header SKU
1-1/4"	H125103	1-1/2"	2 X 1" Branch + 1-1/4" Side	1" MNPT	21-1/2" (546mm)	HSU125
1-1/4"	H125104	1-1/2"	3 X 1" Branch + 1-1/4" Side	1" MNPT	30-1/2" (774.4mm)	HSU125
1-1/4"	H125105	1-1/2"	4 X 1" Branch + 1-1/4" Side	1" MNPT	39-1/2" (1,003mm)	HSU125
1-1/2"	H150104	1-1/2"	3 X 1" Branch + 1-1/2" Side	1" MNPT	30-1/2" (775mm)	HSU150
1-1/2"	H150105	1-1/2"	4 X 1" Branch + 1-1/2" Side	1" MNPT	39-1/2" (1,003mm)	HSU150
1-1/2"	H150106	1-1/2"	5 X 1" Branch + 1-1/2" Side	1" MNPT	48-1/2" (1,232mm)	HSU150
1-1/2"	H150107	1-1/2"	6 X 1" Branch + 1-1/2" Side	1" MNPT	57-1/2" (1,460.5mm)	HSU150
2"	H200104	2"	3 X 1" Branch + 2" Side	1" MNPT	41-3/8" (1,050mm)	HSU200
2"	H200105	2"	4 X 1" Branch + 2" Side	1" MNPT	50-3/8" (1,279mm)	HSU200
2"	H200106	2"	5 X 1" Branch + 2" Side	1" MNPT	59-3/8" (1,507mm)	HSU200
2"	H200107	2"	6 X 1" Branch + 2" Side	1" MNPT	68-3/8" (1,736mm)	HSU200

HYDRONIC DISTRIBUTION HEADERS

Available Sizes

1-1/4" Stainless Steel Distribution Headers

- Connections: Trunks 1-1/4" G,
- Diameter: Trunks ~1-1/2" (42 mm), Branches 1"
- Sizes: From 2 to 4 x Vertical + 1 x Optional Horizontal Branches
- Recommended Trunk Flow: < 13 GPM @ 2 foot/sec
- Maximum Trunk Flow: 26 GPM @ 4 foot/sec
- Recommended Branch Flow: 4.9 GPM

Recommended:

- HSU125 Hydraulic Separator 1-1/4" With Union Connections

1-1/2" Stainless Steel Distribution Headers

- Connections: Trunks 1-1/2" G,
- Diameter: Trunks ~1-1/2" (42 mm), Branches 1"
- Size: From 3 to 6 Vertical + 1 x Optional Horizontal Branches
- Recommended Trunk Flow: < 13 GPM @ 2 foot/sec
- Maximum Trunk Flow: 26 GPM @ 4 foot/sec
- Recommended Branch Flow: 4.9 GPM

Recommended:

- HSU150 Hydraulic Separator 1-1/2" With Union Connections

2" Stainless Steel Distribution Headers

- Connections: Trunks 2" G,
- Diameter: Trunks 2" (50.8 mm), Branches 1"
- Size: From 4 to 7 Vertical + 1 x Optional Horizontal Branches
- Recommended Trunk Flow: < 21 GPM @ 2 foot/sec
- Maximum Trunk Flow: 42 GPM @ 4 foot/sec
- Recommended Branch Flow: 4.9 GPM

Recommended:

- HSU200 Hydraulic Separator 2" With Union Connections

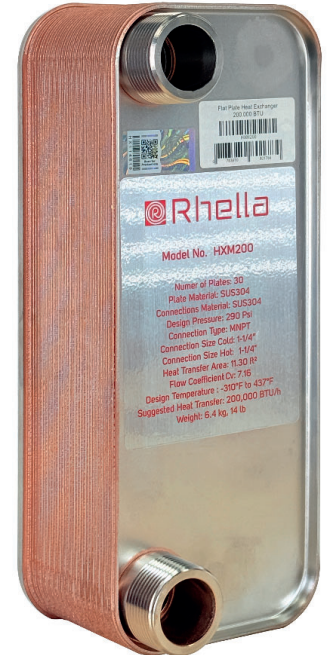
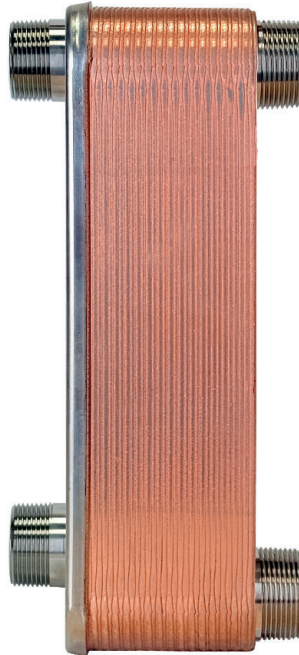
- Material: 304 Stainless Steel
- Maximum Temperature: 194F
- Maximum Pressure: 145 psi

Included are:

- Header Pair, BSP End Caps, Mounting Brackets
- Optional: Horizontal Branch Adapter



HEAT EXCHANGERS



Specification:

Model: HXM200

Number of Plates: 30

Brazing Material: Cu

Plate Material: SUS304

Connections Material: SUS304

Heat Transfer Area: 11.3 ft²

Flow Coefficient: CV 7.16

Design Pressure: 290 Psi

Design Temp: -310°F to 437°F

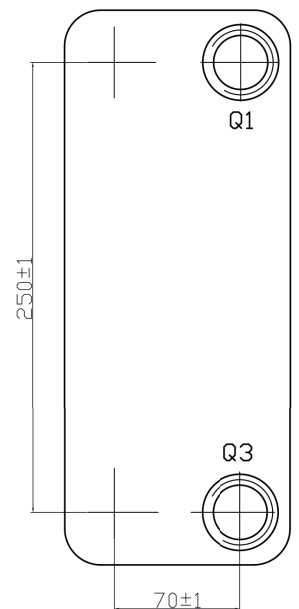
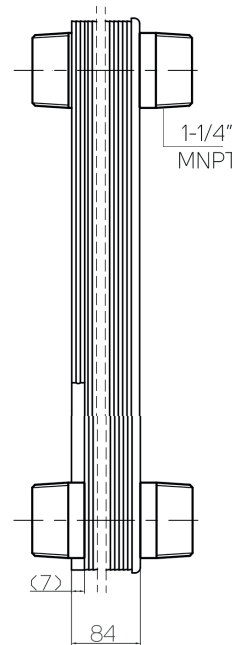
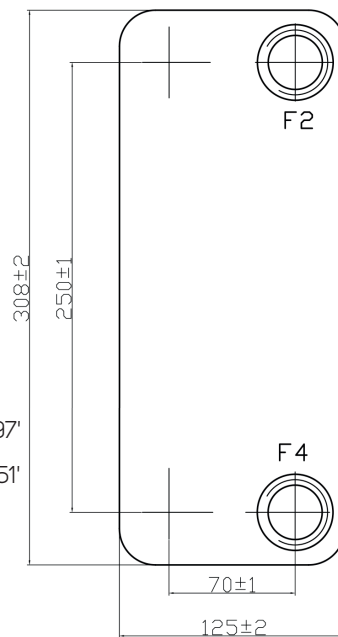
Pressure Drop, Hot: @13.3 GPM: 3.45 Psi /7.97'

Pressure Drop, Cold: @15.6 GPM: 4.12 Psi /9.51'

Connections:

Connection Hot Side: 1-1/2" MNPT

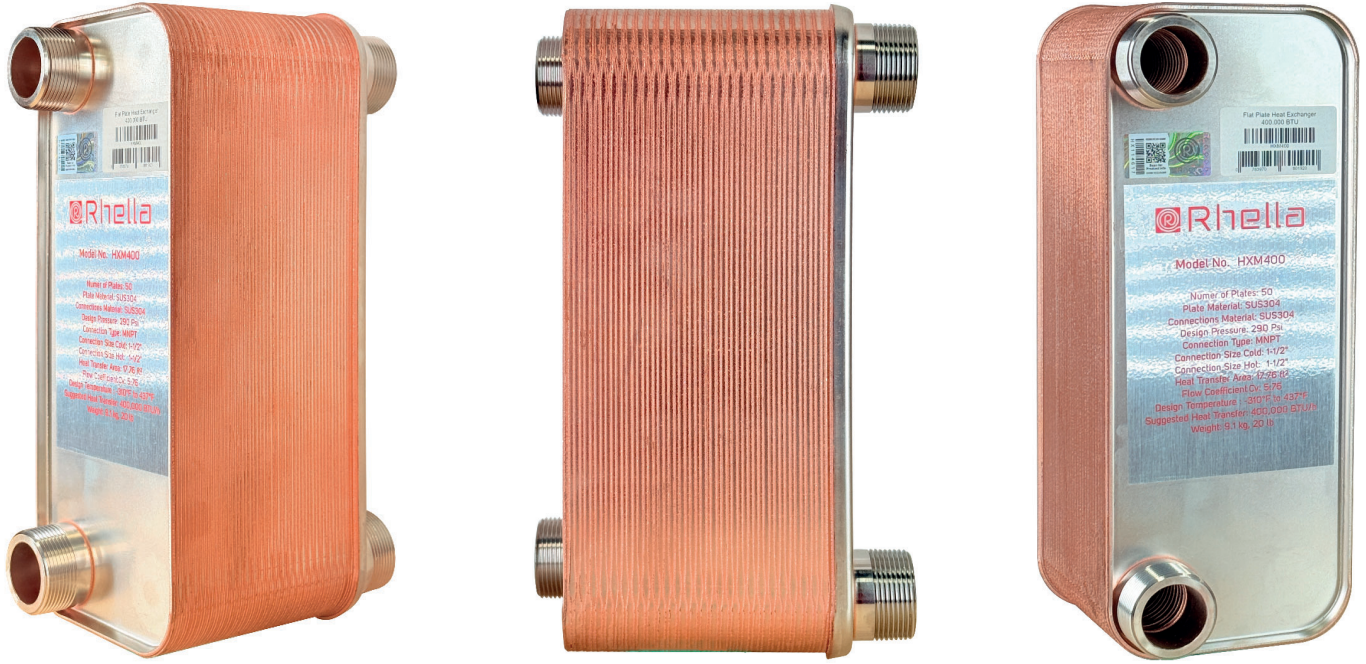
Connection Cold Side: 1-1/2" MNPT



Model Number	Heat Transfer Area		Connections		Connections		Weight	
	m ²	sq.ft	F2	F4	Q1	Q3	kg	lb
HXM200	1.05	11.3	In	Out	Out	In	6.4	14



HXM400 Brazed Plate Heat Exchanger



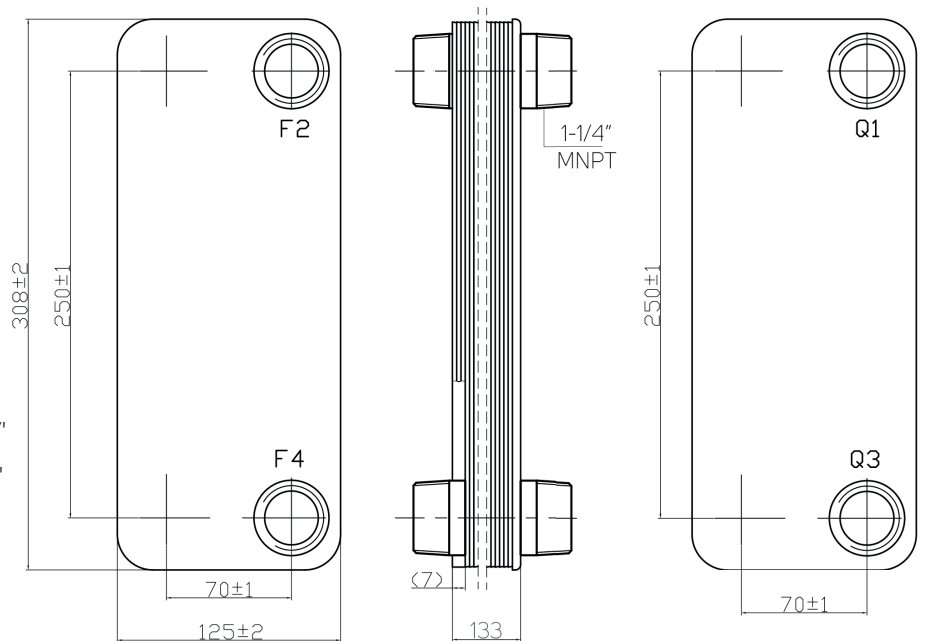
Specification:

Model: HXM400

- Number of Plates: 50
- Brazing Material: Cu
- Plate Material: SUS304
- Connections Material: SUS304
- Heat Transfer Area: 17.76 ft²
- Flow Coefficient: CV 5.67
- Design Pressure: 290 Psi
- Design Temp: -310°F to 437°F
- Pressure drop, Hot @26.62 GPM: 5.5 Psi /12.7'
- Pressure drop, Cold @30.5 GPM: 6.9 Psi /17.3'

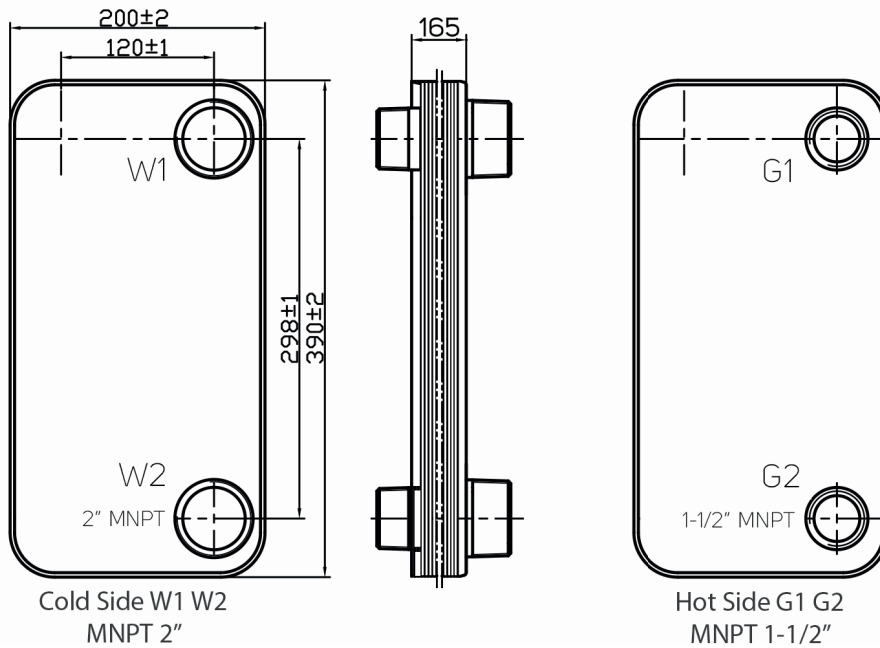
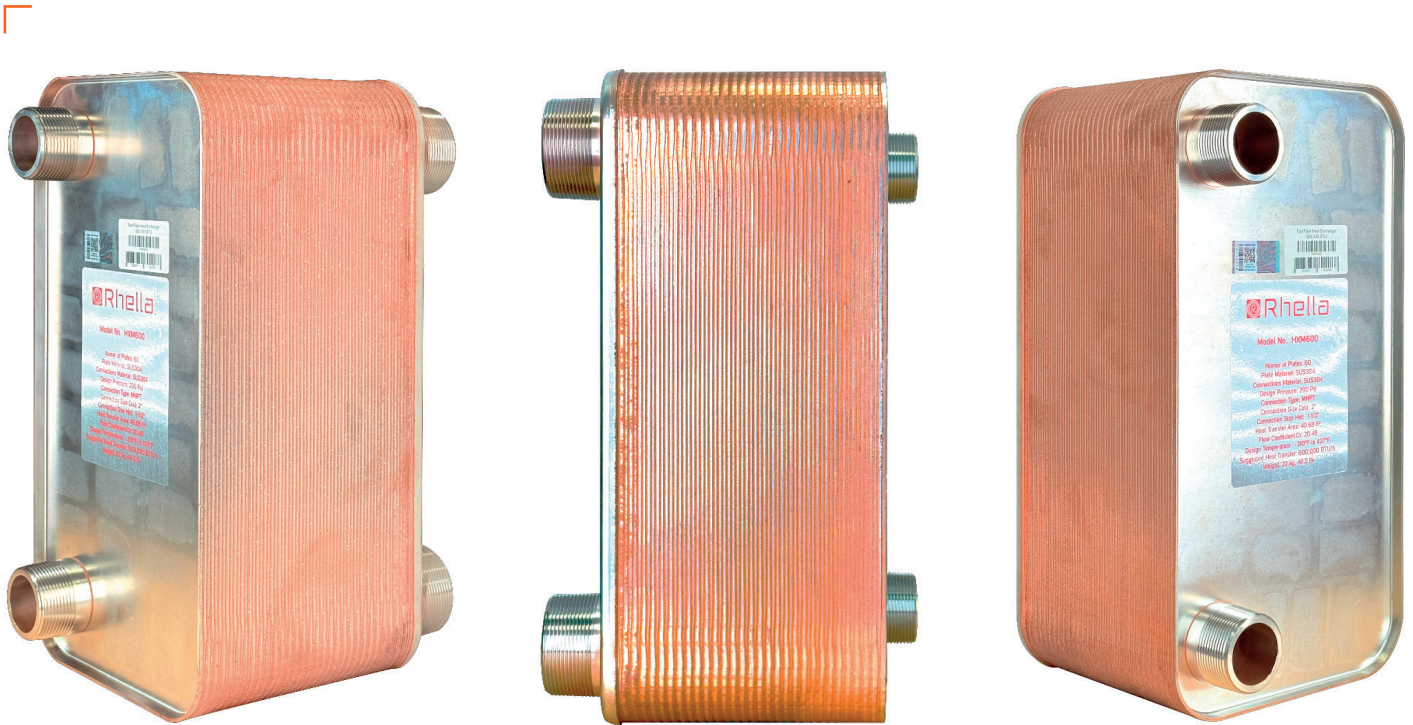
Connections:

- Connection Hot Side: 1-1/2" MNPT
- Connection Cold Side: 1-1/2" MNPT



Model Number	Heat Transfer Area		Connections		Connections		Weight	
	m ²	sq.ft	F2	F4	Q3	Q1	kg	lb
HXM400	1.65	17.76	In	Out	In	Out	9.2	20.2

HXM600 Brazed Plate Heat Exchanger



Specification:

Model: HXM600

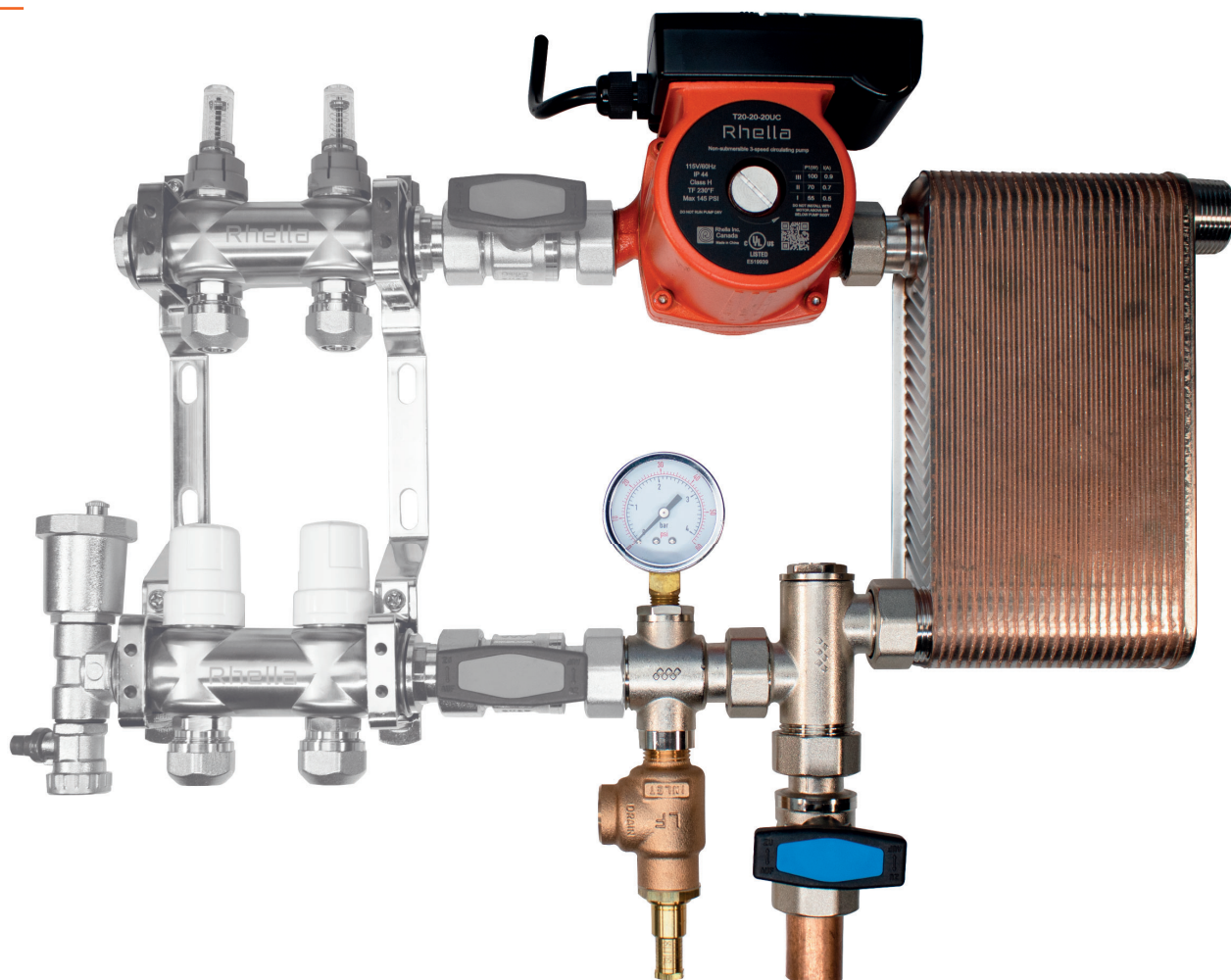
- Number of Plates: 60
- Brazing Material: Cu
- Plate Material: SUS304
- Connections Material: SUS304
- Heat Transfer Area: 40.68 ft²
- Flow Coefficient: CV 20.48
- Design Pressure: 290 Psi
- Design Temp: -310°F to 437°F
- Pressure drop, Hot @ 39.93 GPM 16.75 Psi /8.8'
- Pressure drop, Cold @ 45.75 GPM 16.75 Psi /11'

Connections:

- Connection Hot Side: 1-1/2" MNPT
- Connection Cold Side: 2" MNPT

Model Number	Heat Transfer Area		Cold Side Connections		Hot Side Connections		Weight	
	m2	sq.ft	W1	W2	G1	G2	kg	lb
HXM600	3.78	40.68	In	Out	In	Out	22	48.4

HXM016 Compact Heat Exchanger Module



A small footprint Water/Water or Water/Propylene Glycol Solution heat exchanger.

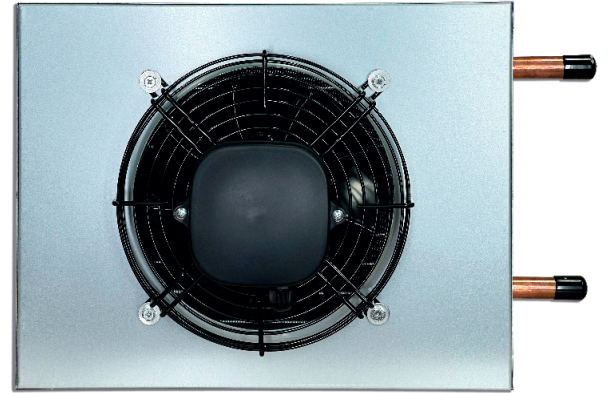
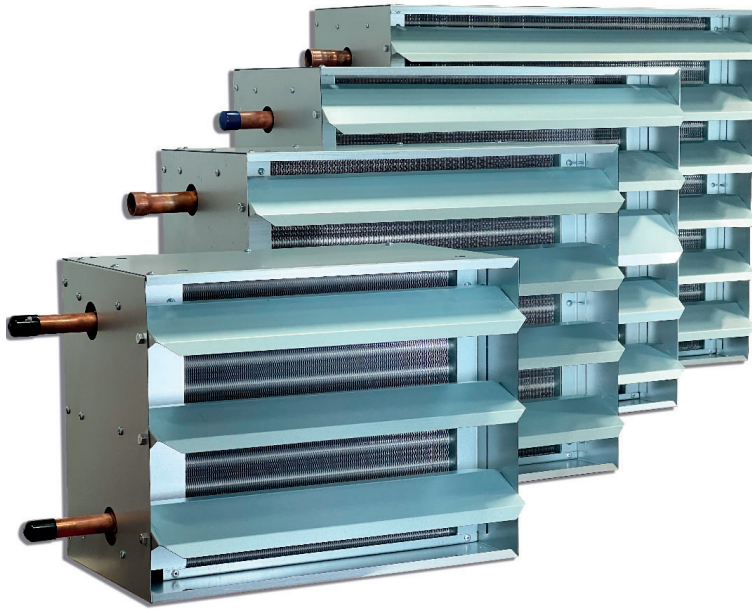
- Eliminate the need for piping on the manifold side with easy to connect circulator pump fittings.
- Lines up perfectly with Rhella RAM100 1" trunk manifolds from 2-12 loop sizes (sold separately)

Included are:

- HXM016 heat exchanger
- Rhella T20-20-20UC circulator pump
- CashAcme 09553-0125 Pressure relief valve
- All connection hardware



50,000 to 200,000 BTU Hydronic Unit Heaters



Specifications

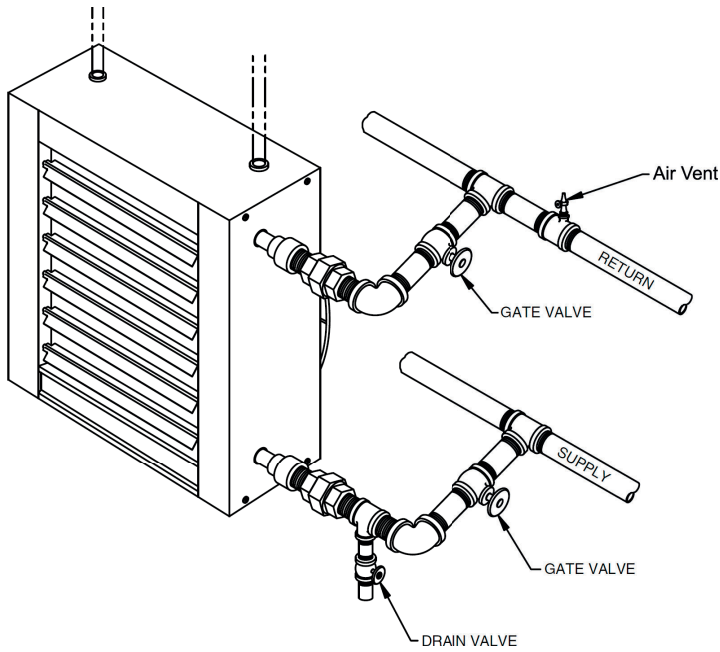
Heating Capacity	HGH050	HGH100	HG150	HGH200
140°F	48571	62506	72897	80862
160°F	60148	76248	88277	97508
180°F	71594	89890	103580	114085
Working Pressure	100 Psi	100 Psi	100 Psi	100 Psi

Available Sizes

Model Number	BTU	Heat Exchanger Size	CFM	Weight	Width	Height	Depth with fan
HGH050	50 MBTU	12"x12"	700	24 lbs	15 ¾"	12"	13-½"
HGH100	100 MBTU	16"x16"	1400	34 lbs	19 ¾"	16"	14"
HGH150	150 MBTU	20"x20"	1800	48 lbs	23 ¾"	20"	15"
HGH200	200 MBTU	24"x24"	2900	64 lbs	27 ¾"	24"	16"



UNIT HEATERS



- Adjustable louvers
- 3/4" Solder connections HGH050
- 1" Solder connections HGH100 and 150
- 1-1/4" Solder connections HGH200
- Multi-directional mount position.
- Galvanized Steel housing
- To be supplied by a water heater or a boiler

! If used for chilled water cooling a drip pan must be installed beneath the unit. *Not Included

Heat Exchanger	Material	Size	Rating	Working Pressure
Coils	Copper	3/8"	175 psi/350°F	100 Psi
Plate Fin	Aluminium	12 FPI	Louvered	100 Psi
Core Housing	Gal. Steel	3 ROWS	20ga	100 Psi
Manifold	Copper	1"	1/8 OD	100 Psi
Connections	Copper	3/4" - 1-1/4"	Solder	100 Psi



Vivo 2020

T20-20-20UC Cast Iron Circulator

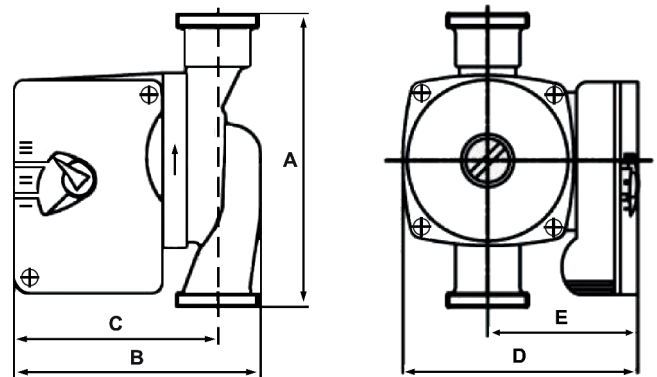
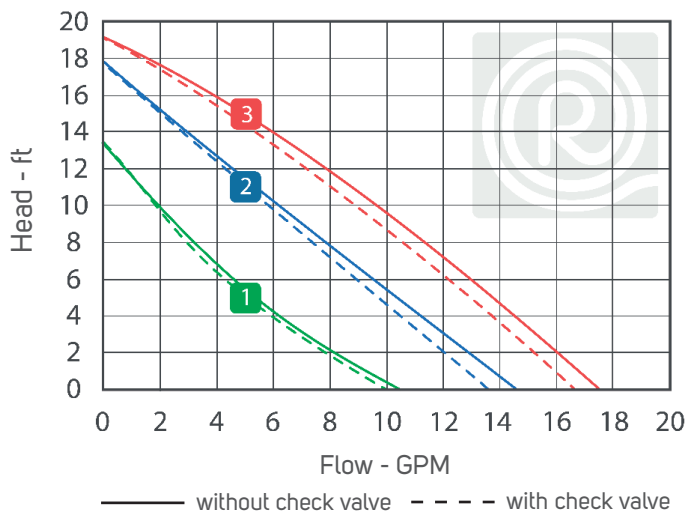
SKU - Order Number: T202020UC

- 10' of power cable included
- Motor: 2-pole single phase 115 VAC 60 Hz
- Asynchronous squirrel-cage PSC
- Stator and rotor: Stainless steel shielded wet
- Capacitor: 10 uf/250V
- Body material: Cast iron
- Pumped liquid temperature: 32°F -230°F (0°C - 110°C)
- Max pressure: 145psi (1MPa)
- Max flow : 17 gpm
- Max head: 19 ft

Data Sheet

Model	Volts	Amps at High/Med/Low Speeds	Watts at High/Med/Low Speeds	System	Grundfos Equivalent
T20-20-20UC	115 V	0.94/0.7/0.5	100/70/55	Closed	UPS 15-58 FC

Liquid Temperature	≥185°F (85°C)	≥194°F (90°C)	≥230°F (110°C)
Inlet Pressure	2 ft (0.6m) Head 0.7 psi (0.05 bar)	10 ft (3m) Head 4 psi (0.28 bar)	33 ft (10m) Head 14.5 psi (1 bar)



Model	A	B	C	D	E	Connection	Shipping Weight
T20-20-20UC	5 7/8"	5"	4 1/8"	4 3/4"	3"	1" Union End	5.5 lbs



Vivo 1719

T15-17-19FC Cast Iron Circulator

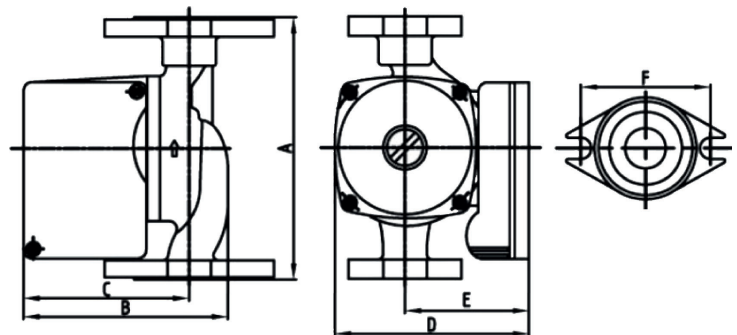
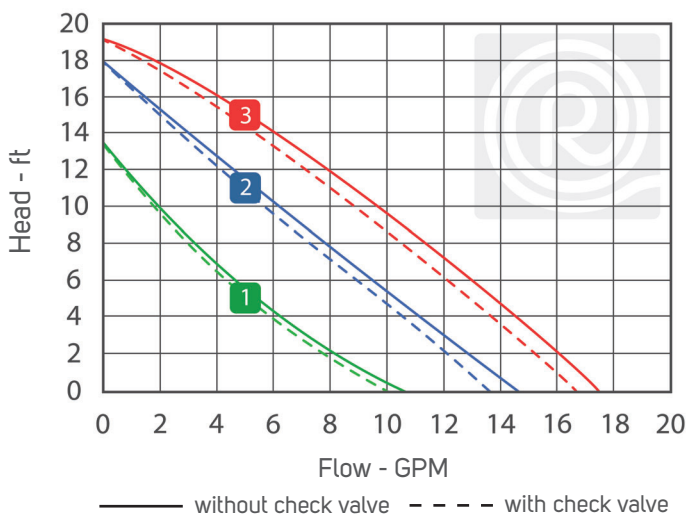
SKU - Order Number: T151719FC

- 10' of power cable included
- Motor: 2-pole single phase 115 VAC 60 Hz
- Asynchronous squirrel-cage PSC
- Stator and rotor: stainless steel shielded wet
- Capacitor: 10 uf/250V
- Body Material: Cast Iron
- Pumped liquid temperature: 32°F -230°F (0°C - 110°C)
- Max pressure: 145psi (1MPa)
- Max flow: 17 gpm
- Max head: 19 ft

Data Sheet

Model	Volts	Amps at High/Med/Low Speeds	Watts at High/Med/Low Speeds	System	Grundfos Equivalent
T15-17-19FC	115 V	0.9/0.7/0.5	100/70/55	Closed	UPS 15-58 FC

Liquid Temperature	≥185°F (85°C)	≥194°F (90°C)	≥230°F (110°C)
Inlet Pressure	2 ft (0.6m) Head	10 ft (3m) Head	33 ft (10m) Head
	0.7 psi (0.05 bar)	4 psi (0.28 bar)	14.5 psi (1 bar)



Model	A	B	C	D	E	F - Connection	Shipping Weight
T15-17-19FC	6 1/2"	6"	4"	4 7/8"	3"	3 5/32" - GP 15 flange	7.25 lbs



Vivo 3636

S25-36-36FC Cast Iron Circulator

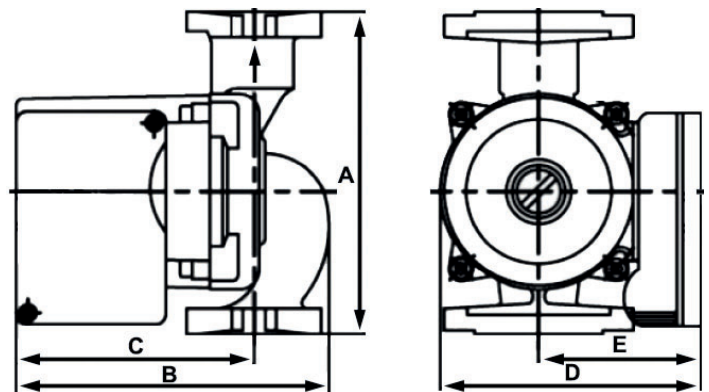
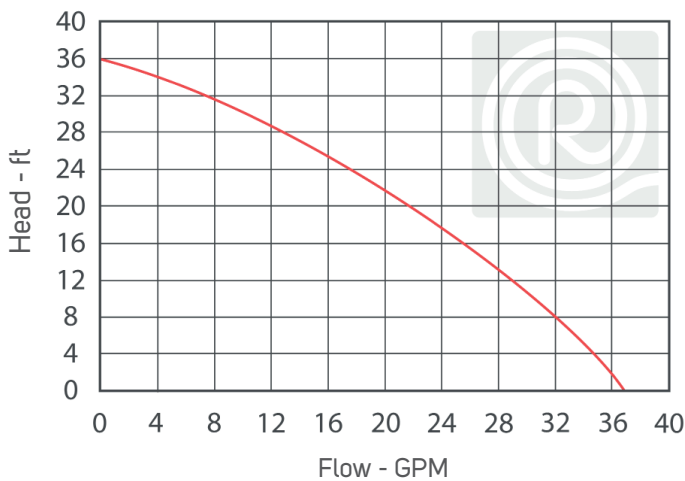
SKU - Order Number: S253636FC

- 10' of power cable included
- Motor: 2-pole single phase 115 VAC 60 Hz
- Asynchronous squirrel-cage PSC
- Stator and rotor: Stainless steel shielded wet
- Capacitor: 6 uf/450V
- Body Material: Cast iron
- Pumped liquid temperature: 32°F -230°F (0°C - 110°C)
- Max pressure: 145psi (1MPa)
- Max flow : 38 gpm
- Max head: 36 ft

Data Sheet

Model	Volts	Amps	Watts	System	Grundfos Equivalent
S25-36-36FC	115 V	1.5	335	Open	UP 26-116 F

Liquid Temperature	≥185°F (85°C)	≥194°F (90°C)	≥230°F (110°C)
Inlet Pressure	2 ft (0.6m) Head 0.7 psi (0.05 bar)	10 ft (3m) Head 4 psi (0.28 bar)	33 ft (10m) Head 14.5 psi (1 bar)



Model	A	B	C	D	E	Connection	Shipping Weight
S25-36-36FC	6 1/2"	6 3/8"	5 1/16"	5 3/8"	3 1/4"	3 5/32" - F25 flange	12 1/2" lbs



Vivo 3230

T25-32-30FC Cast Iron Circulator

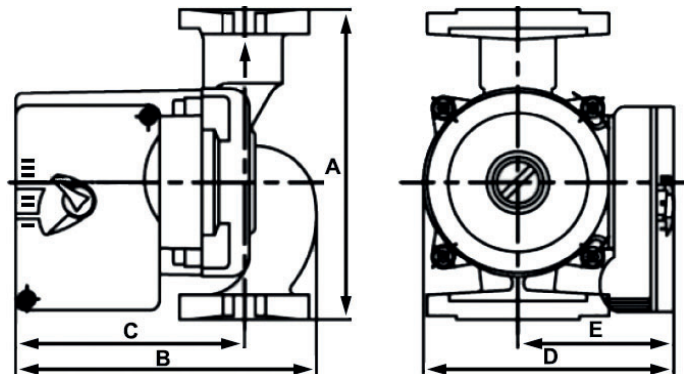
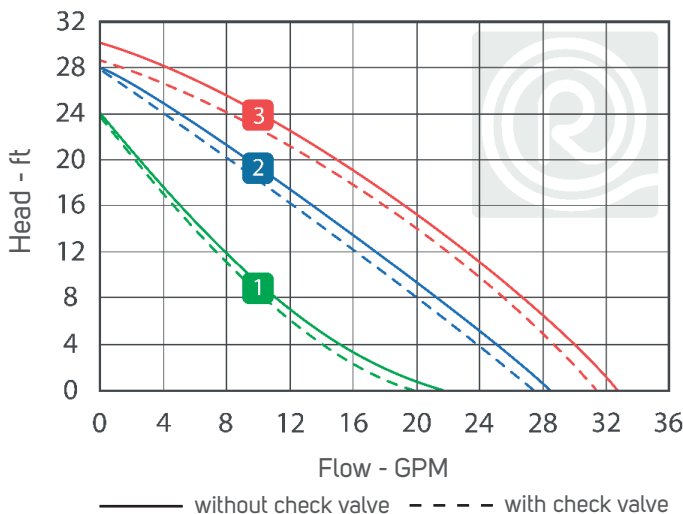
SKU - Order Number: T253230FC

- 10' of power cable included
- Motor: 2-pole single phase 115 VAC 60 Hz
- Asynchronous squirrel-cage PSC
- Stator and rotor: Stainless steel shielded wet
- Capacitor: 10 uf/250V
- Body Material: Cast iron
- Pumped liquid temperature: 32°F -230°F (0°C - 110°C)
- Max pressure: 145psi (1MPa)
- Max flow : 32 gpm
- Max head: 30 ft

Data Sheet

Model	Volts	Amps at High/Med/Low Speeds	Watts at High/Med/Low Speeds	System	Grundfos Equivalent
T25-32-30FC	115 V	1.8/0.7/1.2	200/190/135	Open	UPS 26-99 FC

Liquid Temperature	≥185°F (85°C)	≥194°F (90°C)	≥230°F (110°C)
Inlet Pressure	2 ft (0.6m) Head	10 ft (3m) Head	33 ft (10m) Head
	0.7 psi (0.05 bar)	4 psi (0.28 bar)	14.5 psi (1 bar)



Model	A	B	C	D	E	Connection	Shipping Weight
T25-32-30FC	6 1/2"	6"	4 3/4"	5 5/16"	3 1/4"	3 5/32" - F25 flange	11 1/4 lbs



Vivo 4425

T40-44-25FC Cast Iron Circulator

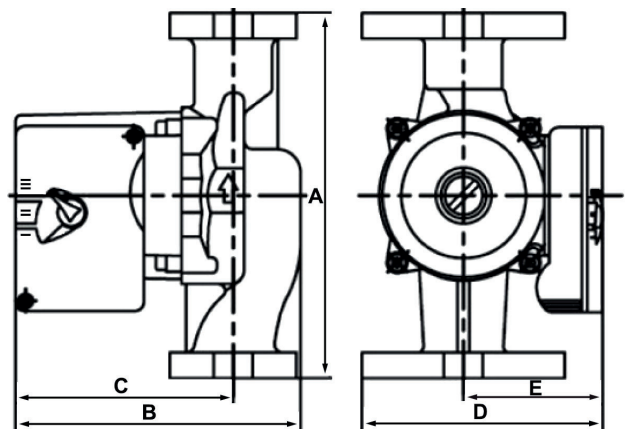
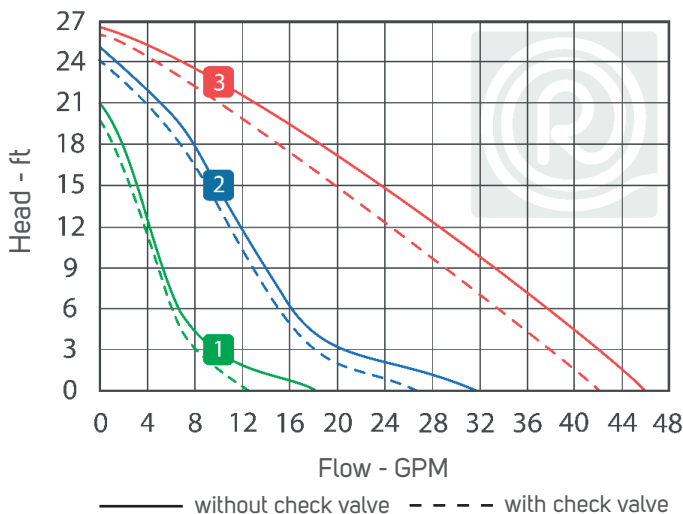
SKU - Order Number: T404425FC

- 10' of power cable included
- Motor: 2-pole single phase 115 VAC 60 Hz
- Asynchronous squirrel-cage PSC
- Stator and rotor: Stainless steel shielded wet
- Capacitor: 20 uf/250V
- Body Material: Cast iron
- Pumped liquid temperature: 32°F -230°F (0°C - 110°C)
- Max pressure: 145psi (1MPa)
- Max flow: 44 gpm
- Max head: 26 ft

Data Sheet

Model	Volts	Amps at High/Med/Low Speeds	Watts at High/Med/Low Speeds	System	Grundfos Equivalent
T40-44-25FC	115 V	2/1.7/1.2	230/190/135	Closed	UP 43-75 F

Liquid Temperature	≥185°F (85°C)	≥194°F (90°C)	≥230°F (110°C)
Inlet Pressure	2 ft (0.6m) Head	10 ft (3m) Head	33 ft (10m) Head
	0.7 psi (0.05 bar)	4 psi (0.28 bar)	14.5 psi (1 bar)



Model	A	B	C	D	E	Connection	Shipping Weight
T40-44-25FC	8 1/2"	6 1/16"	5 1/8"	5 5/8"	3 1/4"	3 7/16" - GF40 flange	13.5 lbs



Vivo 6214

T40-62-14FC Cast Iron Circulator

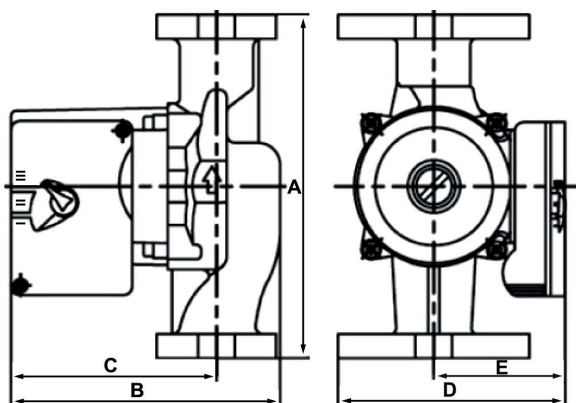
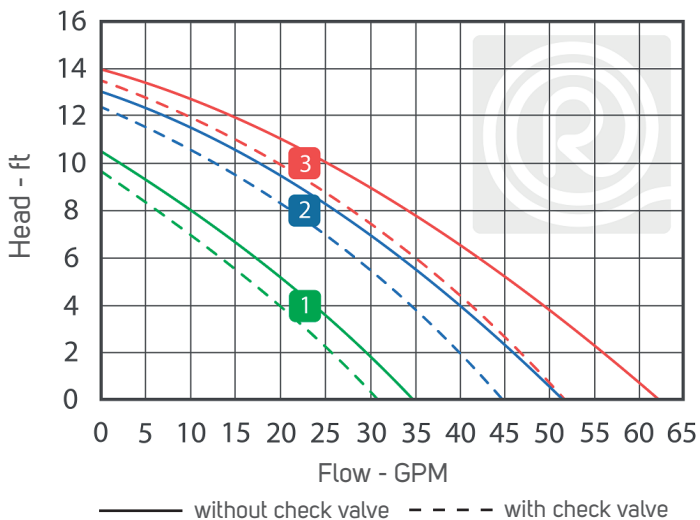
SKU - Order Number: T406214FC

- 10' of power cable included
- Motor: 2-pole single phase 115 VAC 60 Hz
- Asynchronous squirrel-cage PSC
- Stator and rotor: Stainless steel shielded wet
- Capacitor: 20 uf/250V
- Body material: Cast iron
- Pumped liquid temperature: 32°F -230°F (0°C - 110°C)
- Max pressure: 145psi (1MPa)
- Max flow: 62 gpm
- Max head: 14 ft

Data Sheet

Model	Volts	Amps at High/Med/Low Speeds	Watts at High/Med/Low Speeds	System	Grundfos Equivalent
T40-62-14FC	115 V	1.8/1.7/1.2	200/190/135	Closed	UPS 43-44 FC

Liquid Temperature	≥185°F (85°C)	≥194°F (90°C)	≥230°F (110°C)
Inlet Pressure	2 ft (0.6m) Head	10 ft (3m) Head	33 ft (10m) Head
	0.7 psi (0.05 bar)	4 psi (0.28 bar)	14.5 psi (1 bar)



Model	A	B	C	D	E	Connection	Shipping Weight
T40-62-14FC	8 1/2"	6 1/16"	5 1/8"	5 5/8"	3 1/4"	3 7/16" - GF 40 flange	13.5 lbs

Description

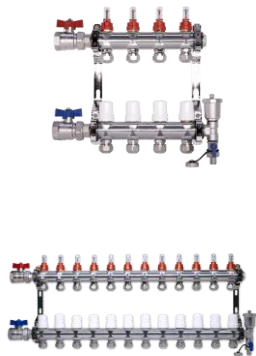
Hydraulic Separators - 304 Stainless Steel

SKU



Hydraulic Separator 1"	Air Vent and Drain Included	LLH100
Hydraulic Separator 1"	Air Vent, Drain, Pressure Gauge and Magnet Included	LLH100M
Hydraulic Separator 1-1/4"	Air Vent and Drain Included	LLH125
Hydraulic Separator 1-1/4"	Air Vent, Drain, Pressure Gauge and Magnet Included	LLH125M
Hydraulic Separator 1-1/2"	Air Vent and Drain Included	LLH150
Hydraulic Separator 1-1/2"	Air Vent, Drain, Pressure Gauge and Magnet Included	LLH150M
Hydraulic Separator 2"	Air Vent and Drain Included	LLH200
Hydraulic Separator 2"	Air Vent, Drain, Pressure Gauge and Magnet Included	LLH200M
Hydraulic Separator 2-1/2"	Air Vent and Drain Included	LLH250
Hydraulic Separator 2-1/2"	Air Vent, Drain, Pressure Gauge and Magnet Included	LLH250M
Hydraulic Separator 3"	Air Vent and Drain Included	LLH300
Hydraulic Separator 3"	Air Vent, Drain, Pressure Gauge and Magnet Included	LLH300M
Hydraulic Separator 4"	Air Vent and Drain Included	LLH400
Hydraulic Separator 4"	Air Vent, Drain, Pressure Gauge and Magnet Included	LLH400M
Hydraulic Separator 2 Way	Air Vent and Drain Included	LLH204
Hydraulic Separator 3 Way	Air Vent and Drain Included	LLH206
Hydraulic Separator 1-1/4"	with Union Connector - Incl. Air vent, Drain and Gauge	HSU125
Hydraulic Separator 1-1/4"	with Union Connector - Incl. Air vent, Drain, Gauge and Magnet	HSU125M
Hydraulic Separator 1-1/2"	with Union Connector - Incl. Air vent, Drain and Gauge	HSU150
Hydraulic Separator 1-1/2"	with Union Connector - Incl. Air vent, Drain, Gauge and Magnet	HSU150M
Hydraulic Separator 2"	with Union Connector - Incl. Air vent, Drain and Gauge	HSU200
Hydraulic Separator 2"	with Union Connector - Incl. Air vent, Drain and Gauge	HSU200M

1" Stainless Steel Manifolds



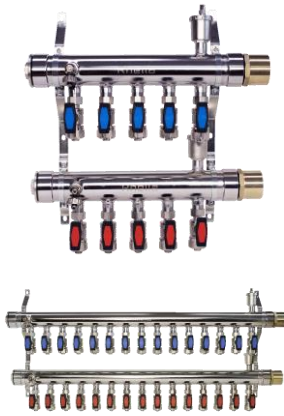
Manifold 1" 2 loops - Without Adapters - Small Box: 20-3/4"X14"X3"	RAM102
Manifold 1" 3 loops - Without Adapters - Small Box: 20-3/4"X14"X3"	RAM103
Manifold 1" 4 loops - Without Adapters - Small Box: 20-3/4"X14"X3"	RAM104
Manifold 1" 5 loops - Without Adapters - Small Box: 20-3/4"X14"X3"	RAM105
Manifold 1" 6 loops - Without Adapters - Small Box: 20-3/4"X14"X3"	RAM106
Manifold 1" 7 loops - Without Adapters - Medium Box: 30-1/2"X14"X3"	RAM107
Manifold 1" 8 loops - Without Adapters - Medium Box: 30-1/2"X14"X3"	RAM108
Manifold 1" 9 loops - Without Adapters - Medium Box: 30-1/2"X14"X3"	RAM109
Manifold 1" 10 loops - Without Adapters - Medium Box: 30-1/2"X14"X3"	RAM110
Manifold 1" 11 loops - Without Adapters - Large Box: 34-1/2"X14"X3"	RAM111
Manifold 1" 12 loops - Without Adapters - Large Box: 34-1/2"X14"X3"	RAM112

1-1/4" Stainless Steel Manifolds



Manifold 1-1/4" Stainless Steel 2 loops - Without Adapters	HFM102
Manifold 1-1/4" Stainless Steel 3 loops - Without Adapters	HFM103
Manifold 1-1/4" Stainless Steel 4 loops - Without Adapters	HFM104
Manifold 1-1/4" Stainless Steel 5 loops - Without Adapters	HFM105
Manifold 1-1/4" Stainless Steel 6 loops - Without Adapters	HFM106
Manifold 1-1/4" Stainless Steel 7 loops - Without Adapters	HFM107
Manifold 1-1/4" Stainless Steel 8 loops - Without Adapters	HFM108
Manifold 1-1/4" Stainless Steel 9 loops - Without Adapters	HFM109
Manifold 1-1/4" Stainless Steel 10 loops - Without Adapters	HFM110
Manifold 1-1/4" Stainless Steel 11 loops - Without Adapters	HFM111
Manifold 1-1/4" Stainless Steel 12 loops - Without Adapters	HFM112

2" Stainless Steel Manifolds



	SKU
Manifold 2" 4 loops - Without Adapters	XFM204
Manifold 2" 5 loops - Without Adapters	XFM205
Manifold 2" 6 loops - Without Adapters	XFM206
Manifold 2" 7 loops - Without Adapters	XFM207
Manifold 2" 8 loops - Without Adapters	XFM208
Manifold 2" 9 loops - Without Adapters	XFM209
Manifold 2" 10 loops - Without Adapters	XFM210
Manifold 2" 11 loops - Without Adapters	XFM211
Manifold 2" 12 loops - Without Adapters	XFM212
Manifold 2" 13 loops - Without Adapters	XFM213
Manifold 2" 14 loops - Without Adapters	XFM214
Manifold 2" 15 loops - Without Adapters	XFM215
Manifold 2" 16 loops - Without Adapters	XFM216

Manifold Accessories



Compression Adapter 1/2"	CAD050
Compression Adapter 5/8"	CAD058
Compression Adapter 3/4"	CAD075
Manifold Drain and Air Vent 1"	DAV100
BSP to SWEAT Adapter 2"	GXC200
Manifold Ball Valve 1" Red 90 Angle with Gauge	MBV900
Manifold Ball Valve 1" Blue 90 Angle with Gauge	MBV901
Manifold Ball Valve 1" Red	MBV100
Manifold Ball Valve 1" Blue	MBV101
Manifold Ball Valve 1-1/4" Red	MBV125
Manifold Ball Valve 1-1/4" Blue	MBV126
Manifold End Cap 1"	MEC100
Manifold End Cap 2"	MEC200
Manifold Pressure Bypass 1"	PBW100

Manifold Enclosures



Manifold Housing Built-in White XS 19.7x25-1/4x4.5 to 5.9 adjustable	MHW020
Manifold Housing Built-in White MS 23.7x25-1/4x4.5 to 5.9 adjustable	MHW024
Manifold Housing Built-in White S 27.6x25-1/4x4.5 to 5.9 adjustable	MHW028
Manifold Housing Built-in White M 31.5x25-1/4x4.5 to 5.9 adjustable	MHW032
Manifold Housing Built-in White L 35.5x25-1/4x4.5 to 5.9 adjustable	MHW036
Manifold Housing Built-in White XL 39.4x25-1/4x4.5 to 5.9 adjustable	MHW040
Manifold Housing Stainless Steel Small 600 - 26"x27"x6"	MHS026
Manifold Housing Stainless Steel Small 0800 - W: 31-1/2" H: 26-3/4" D: 8-3/4"	XFMCS8
Manifold Housing Stainless Steel Medium 1060 - W: 41-3/4" H: 26-3/4" D: 8-3/4"	XFMCM8
Manifold Housing Stainless Steel Large 1400 - W: 55-1/8" H: 26-3/4" D: 8-3/4"	XFMCL8
Manifold Housing Stainless Steel XLarge 1800 - W: 71" H: 26-3/4" D: 8-3/4"	XFM CX8

Hardware



Expansion Tank Arm with Gauge and Air Vent - Up to 1" MNPT Tank Connection	ETA330
Tank Arm Adapter - Chrome Plated Brass from 1/2" NPT to 3/4" NPT	ETA075
Tank Arm Adapter - Chrome Plated Brass from 1/2" NPT to 1" NPT	ETA100

SS Distrubution Headers - Union Connection Hydraulic Separators Sold Separetly

SKU

Distribution Header 1-1/4" 2 X 1" Branch + 1-1/4" Side with End Cap	H125103
Distribution Header 1-1/4" 3 X 1" Branches + 1-1/4" Side with End Cap	H125104
Distribution Header 1-1/4" 4 X 1" Branches + 1-1/4" Side with End Cap	H125105
Distribution Header 1-1/2" 3 X 1" Branches + 1-1/2" Side with End Cap	H150104
Distribution Header 1-1/2" 4 X 1" Branches + 1-1/2" Side with End Cap	H150105
Distribution Header 1-1/2" 5 X 1" Branches + 1-1/2" Side with End Cap	H150106
Distribution Header 1-1/2" 6 X 1" Branches + 1-1/2" Side with End Cap	H150107
Distribution Header 2" 3 X 1" Branches + 2" Side with End Cap	H200104
Distribution Header 2" 4 X 1" Branches + 2" Side with End Cap	H200105
Distribution Header 2" 5 X 1" Branches + 2" Side with End Cap	H200106
Distribution Header 2" 6 X 1" Branches + 2" Side with End Cap	H200107
Distribution Header 2" 7 X 1" Branches + 2" Side with End Cap	H200108
Distribution Header 1-1/4" End Cap	HDC125
Distribution Header 1-1/2" End Cap	HDC150
Distribution Header 2" End Cap	HDC200
Distribution Header 1-1/4" x 3/4" Tail Piece - 1 Set, 2 Pcs	HR125075
Distribution Header 1-1/4" x 1" Tail Piece - 1 Set, 2 Pcs	HR125100
Distribution Header 1-1/2" x 3/4" Tail Piece - 1 Set, 2 Pcs	HR150075
Distribution Header 1-1/2" x 1" Tail Piece - 1 Set, 2 Pcs	HR150100
Distribution Header 1-1/2" x 1-1/4" Tail Piece - 1 Set, 2 Pcs	HR150125
Distribution Header 2" x 3/4" Tail Piece - 1 Set, 2 Pcs	HR200075
Distribution Header 2" x 1" Tail Piece - 1 Set, 2 Pcs	HR200100
Distribution Header 2" x 1-1/4" Tail Piece - 1 Set, 2 Pcs	HR200125
Distribution Header 2" x 1-1/2" Tail Piece - 1 Set, 2 Pcs	HR200150



Pumps

Pump S25-36-36FC Grundfos Equivalent UP 26-116 F	S253636FC
Pump T15-17-19FC Grundfos Equivalent UPS 15-58 FC	T151719FC
Pump T20-20-20UC Grundfos Equivalent UPS 15-58 FC	T202020UC
Pump T25-32-30FC Grundfos Equivalent UPS 29-99 BFC	T253230FC
Pump T25-32-30FS Grundfos Equivalent UPS 29-99 BFC - Stainless Steel	T253230FS
Pump T40-44-25FC Grundfos Equivalent UP 43-75 F	T404425FC
Pump T40-62-14FC Grundfos Equivalent UPS 43-44 FC	T406214FC



Heat Exchangers

Compact Heat Exc. Module with T202020UC Pump and Adjustable Relief Valve	HXM016
Flat Plate Heat Exchanger 1-1/2" MNPT Connections	HXM200
Flat Plate Heat Exchanger 1-1/2" MNPT Connections	HXM400
Flat Plate Heat Exchanger 1-1/2" Cold side 2" Hot Side MNPT Connections	HXM600
Hydronic Unit Heater 50000 BTU - 3/4" Copper Connection	HGH050
Hydronic Unit Heater 100000 BTU - 1" Copper Connection	HGH100
Hydronic Unit Heater 150000 BTU - 1-1/4" Copper Connection	HGH150
Hydronic Unit Heater 200000 BTU - 1-1/4" Copper Connection	HGH200



Air and Magnetic Separators

Airvent 1/2" NPT	AIR050
Airvent 1/2" GM with Rubber Seal	AIR051
Magnetic Dirt Separator 3/4" Composite Body With Two NPT Ball Valves	MAG075
Magnetic Dirt Separator 1" Composite Body With Two NPT Ball Valves	MAG100





Flanges

SKU

DN65	PN16 ASTM 4 Bolt Carbon Steel Flange Set FNPT Class 150 - 2-1/2"	FLN250
DN80	PN16 ASTM 4 Bolt Carbon Steel Flange Set FNPT Class 150 - 3"	FLN300
DN100	PN16 ASTM 4 Bolt Carbon Steel Flange Set FNPT Class 150 - 4"	FLN400
DN65	PN16 ASTM 4 Bolt Stainless Steel Flange Set FNPT Class 300 - 2-1/2"	FLS250
DN80	PN16 ASTM 4 Bolt Stainless Steel Flange Set FNPT Class 300 - 3"	FLS300
DN100	PN16 ASTM 8 Bolt Stainless Steel Flange Set FNPT Class 300 - 4"	FLS400

Gauges



Gauge Pressure 30 PSI	GPE030
Gauge Pressure 60 PSI	GPE060
Gauge Pressure 150 PSI	GPE150

Electronics



Thermostat - Floor Sensing with Sensor	FST024
Actuator 2 Wire	TAC224
Actuator 4 Wire	TAC424

Support - Cushion Clamps



Strut Cushion Clamp 1/2" Copper - 5/8" OD	SCC050
Strut Cushion Clamp 3/4" Copper - 7/8" OD	SCC075
Strut Cushion Clamp 1" Copper - 1-1/8" OD	SCC100
Strut Cushion Clamp 1-1/4" Copper - 1-3/8" OD	SCC125
Strut Cushion Clamp 1-1/2" Copper - 1-5/8" OD	SCC150
Strut Cushion Clamp 2" Copper - 2-1/8"	SCC200
Strut Cushion Clamp 2-1/2" Copper - 2-5/8" OD	SCC250
Strut Cushion Clamp 3" Copper - 3-1/8" OD	SCC300
Strut Cushion Clamp 4" Copper - 4-1/8" OD	SCC400

Support - Hardware



PVC Wiring Duct - Grey 2Mx20x15mm - 79"x3/4"x1" LxWxH	WDG150
PVC Wiring Duct - Grey 2Mx25x25mm - 79"x1"x1" LxWxH	WDG250
PVC Wiring Duct - Grey 2Mx50x50mm - 79"x2"x2" LxWxH	WDG500






Tools



"Octopus" Tubing Uncoiler	OCT420

Support - Powder Coated Struts

SKU

	Strut Black Deep 12"	SBD12S
	Strut Black Deep 24"	SBD24S
	Strut Black Low Profile 4"	SBL04S
	Strut Black Low Profile 12"	SBL12S
	Strut Black Low Profile 24"	SBL24S
	Strut Black Regular 4"	SBR04S
	Strut Black Regular 8"	SBR08S
	Strut Black Regular Tee 8"	SBR08T
	Strut Black Regular 12"	SBR12S
	Strut Red Deep 4"	SRD04S
	Strut Red Deep 12"	SRD12S
	Strut Red Deep 18"	SRD18S
	Strut Red Deep 24"	SRD24S
	Strut Red Deep 48"	SRD48S
	Strut Red Deep 96"	SRD96S
	Strut Red Low Profile 4"	SRL04S
	Strut Red Low Profile 12"	SRL12S
	Strut Red Low Profile 18"	SRL18S
	Strut Red Low Profile 24"	SRL24S
	Strut Red Regular Post Base 4"	SRR04B
	Strut Red Regular 45 Post Base 4"	SRRA4B
	Strut Red Regular 4"	SRR04S
	Strut Red Regular 24"	SRR24S
	Strut Red Regular 48"	SRR48S
	Strut Red Regular 96"	SRR96S
	Strut Red Regular Tee 8"	SRR08T
	Strut Red Regular Tee 16"	SRR16T
	Strut Red Regular Tee 36"	SRR36T
	Strut Red Regular 12"	SRR12S
	Strut Red Regular 24"	SRR24S
	Plastic End Cap for Regular Strut Chanel - Blue	SCR01B
	Plastic End Cap for Deep Strut Chanel - Blue	SCD01B
	Plastic End Cap for Regular Strut Chanel - Red	SCR01B
	Plastic End Cap for Deep Strut Chanel - Red	SCD01B
	PVC Cover Strip for Strut Chanel - White - per foot	SCV01W
	M10 Long Spring Chanel Nut - Stainless Steel	SCNM10
	Flat Plate T - Stainless Steel	SC1031
	90 Degree Angle T - Stainless Steel	SC1033
	Flat Plate Corner Brace - Stainless Steel	SC1034
	90 Degree Angle 2 Hole - Stainless Steel	SC1028
	Threaded Rod 3/8" - Stainless Steel 24"	SR3824
	Threaded Rod 3/8" - Stainless Steel 96"	SR3896
	Threaded Rod 1/2" - Stainless Steel 24"	SR5024
	Threaded Rod 1/2" - Stainless Steel 96"	SR5096



Rhella Inc.

147 Citation Dr. Unit 33
Concord, ON,
Canada L4K 2P8
Operating Hours:
Monday to Friday
7:00AM to 4:00PM
Tel. +1905-904-2772
Email: info@rhella.com

www.rhella.com